

MUSWAY

MUSIC IS THE WAY

MC

COMPONENT SPEAKERS

# INSTALLATION NOTES

---

The first step of installing a speaker system is thorough planning. Choose a suitable location for your speaker components carefully. Follow these suggestions to ensure proper imaging and maximum performance:

1. Choose a location that offers the least amount of obstruction between the components and your ears. Pay also attention to the position of the seats, headrests and other constructional systems in the interior space of the car.
2. Try to mount the speakers on the same arrangement. They should be installed at the same height and directly across from each other. Do not mount one speaker higher, lower, further forward or further backward from the opposite speaker.
3. The tweeter should always be installed as close as possible to the speakers.
4. Always take a look behind the chosen mounting locations to ensure that there is proper clearance for the rear of the speakers and avoid obstructions such as window tracks, wire harnesses, gas tank etc.
5. Maximum performance is achieved when the speaker is securely mounted to a door panel or rear speaker deck. There should be no gaps between the speaker basket and the mounting surface.
6. Please handle the components with care, otherwise they will get damaged.
7. Please pay attention to the correct polarity (+ or -) for all terminals and connections.
8. Never connect the speakers to the electrical ground or with the body of the vehicle.
9. If you have to dispose the device, please note that no electronic devices may be disposed in the household waste. Dispose the device in a suitable recycling facility in accordance with local waste regulations. If necessary, consult your local authority or your dealer.



# SPECIFICATIONS

---

## MC6.2C

### **2-Way Component System**

#### **16,5 cm (6.5") Midbass Speakers**

Power Rating RMS 100 Watts

Power Rating max. 200 Watts

Impedance 4 Ohms

Frequency Range 65 - 6000 Hz

Voice coil 25.5mm

Polypropylene Cone

Mounting Depth 60 mm

Mounting Diameter Ø 144 mm

#### **20 mm (1") Tweeters**

Power Rating RMS 100 Watts

Power Rating max. 200 Watts

Impedance 4 Ohms

Frequency Range 1500 - 20000 Hz

Silk Diaphragm Dome

Mounting Depth 25 mm

Mounting Diameter Ø 46 mm

## MC62

### **16,5 CM (6.5") 2-Way Coaxial Speakers**

Power Rating RMS 100 Watts

Power Rating max. 200 Watts

Impedance 4 Ohms

Frequency Range 65 - 20000 Hz

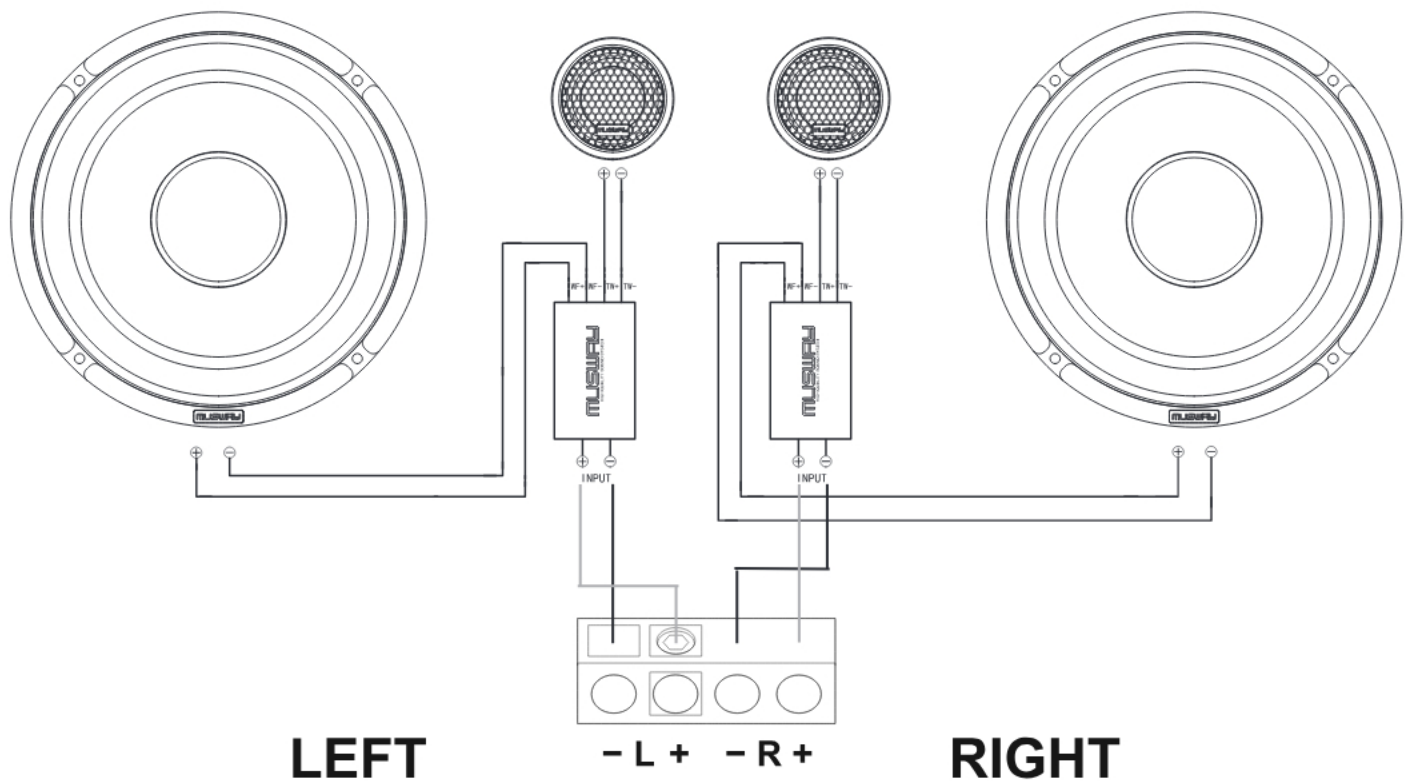
Woofer Polypropylene Cone

Tweeter Silk Diaphragm Dome

Mounting Depth 60 mm

Mounting Diameter Ø 144 mm

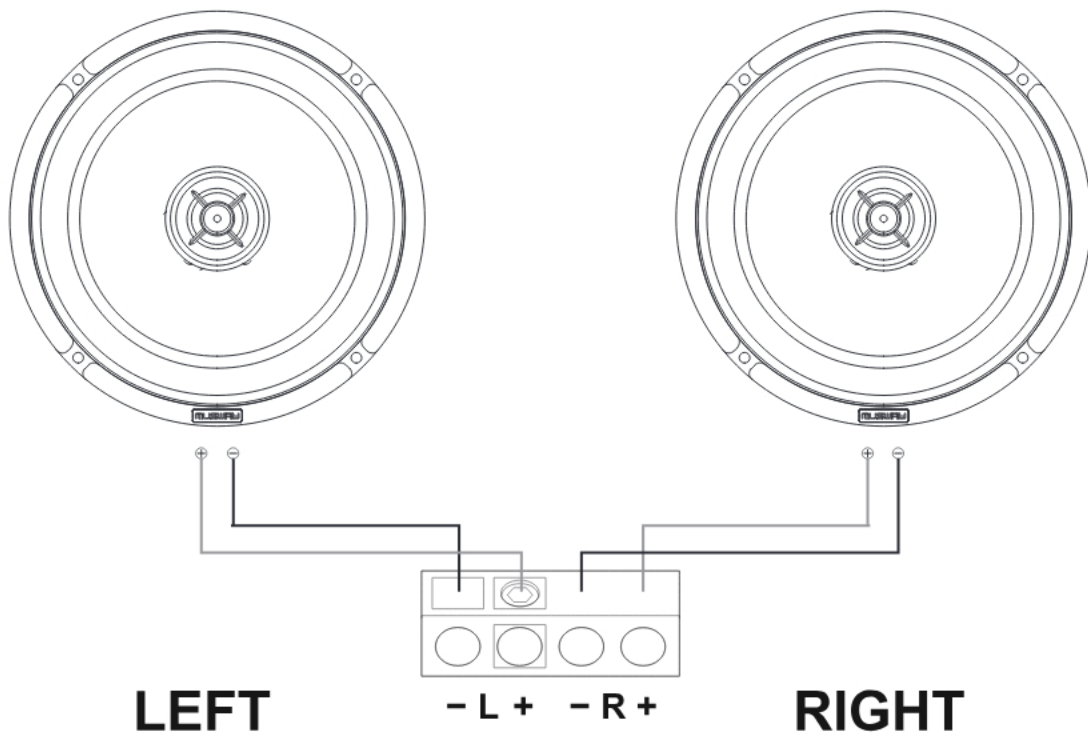
## SPEAKER OUTPUTS AMPLIFIER



### **IMPORTANT:**

Please pay attention to the correct polarity (+ or -) for all terminals and connections.

## SPEAKER OUTPUTS AMPLIFIER



### **IMPORTANT:**

Please pay attention to the correct polarity (+ or -)  
for all terminals and connections.

# MUSWAY



MUSWAY is a brand of Global Audio Marketing  
26820 Hobie Cir. Suite A-1 Murrieta, CA 92562 USA  
Tel. +1 951-816-6307

[www.muswayusa.com](http://www.muswayusa.com)

**THANK YOU**