

MUSWAY

MUSIC IS THE WAY

MG

COMPONENT SPEAKERS

INSTALLATION NOTES

The first step of installing a speaker system is thorough planning. Choose a suitable location for your speaker components carefully. Follow these suggestions to ensure proper imaging and maximum performance:

1. Choose a location that offers the least amount of obstruction between the components and your ears. Pay also attention to the position of the seats, headrests and other constructional systems in the interior space of the car.
2. Try to mount the speakers on the same arrangement. They should be installed at the same height and directly across from each other. Do not mount one speaker higher, lower, further forward or further backward from the opposite speaker.
3. The tweeter should always be installed as close as possible to the speakers.
4. Always take a look behind the chosen mounting locations to ensure that there is proper clearance for the rear of the speakers and avoid obstructions such as window tracks, wire harnesses, gas tank etc.
5. Maximum performance is achieved when the speaker is securely mounted to a door panel or rear speaker deck. There should be no gaps between the speaker basket and the mounting surface
6. Please handle the components with care, otherwise they will get damaged.
7. Please pay attention to the correct polarity (+ or -) for all terminals and connections.
8. Never connect the speakers to the electrical ground or with the body of the vehicle.

SPECIFICATIONS

MG6.2W

16,5 cm (6.5") Midbass Woofer

Power Rating RMS 125 Watts
Power Rating max. 250 Watts
Impedance 4 Ohms
Frequency Range 39 - 5000 Hz
Aluminum-paper Composite Cone
Mounting Depth 67 mm
Mounting Diameter Ø 143 mm
Outer Diameter Ø 166 mm

MG6.2T

26 mm (1.1") Tweeter

Power Rating RMS 125 Watts
Power Rating max. 250 Watts
Impedance 4 Ohms
Frequency Range 2200 - 30000 Hz
Silk Diaphragm Dome
Mounting Depth 19,5 mm
Mounting Diameter Ø 44 mm
Outer Diameter Ø 49 mm

MG3M

7,5 cm (3") Midrange Speaker

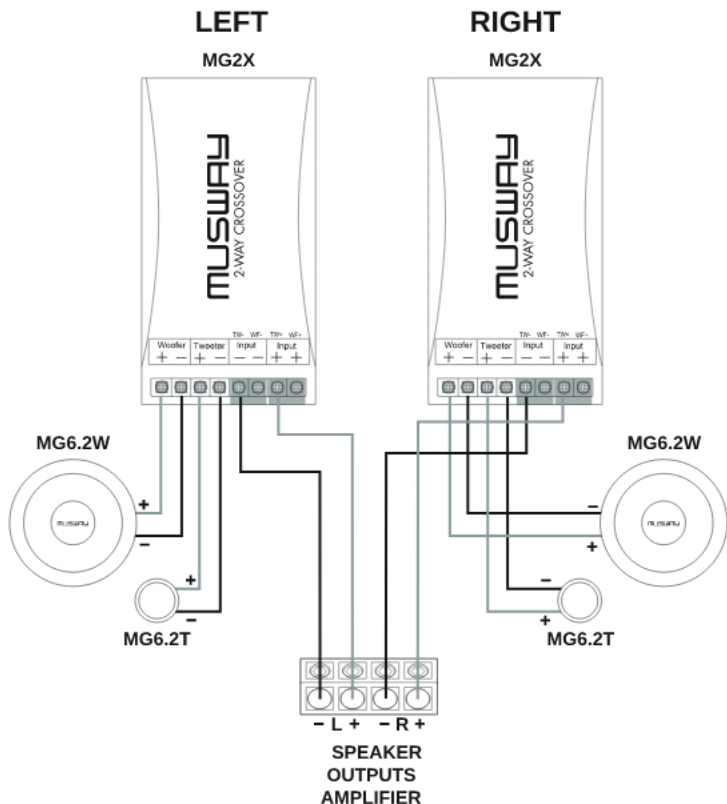
Power Rating RMS 60 Watts
Power Rating max. 120 Watts
Impedance 4 Ohms
Frequency Range 200 - 18000 Hz
Aluminum Cone
Mounting Depth 40 mm
Mounting Diameter Ø 73 mm
Outer Diameter Ø 90 mm

MG2X

2-Way Crossover

Power Rating RMS 125 Watts
Power Rating max. 250 Watts
Crossover Frequency 2800 Hz
5-fold Tweeter Level Adjustment
Width 85 mm
Height 40 mm
Length 145 mm

CONNECTION DIAGRAM MG6.2C

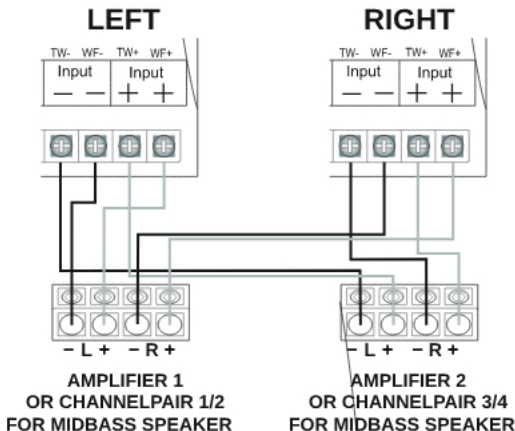


IMPORTANT:

Please pay attention to the correct polarity (+ or -) for all terminals and connections.

Bi-AMPING MG2X

By removing the contact bridges at INPUT - and INPUT +, the crossover can also be operated in bi-amping mode. This allows you to operate the midbass speaker and the tweeter separately with an amplifier or channel pair.

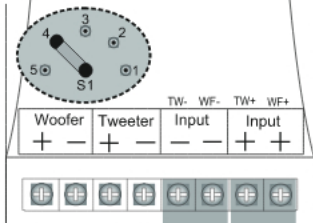


TWEETER LEVEL ADJUSTMENT MG2X

To adjust the tweeter level, you have to remove the cover of the crossover and select the desired combination on the jumper at the bottom left. Carefully pull out the jumper and insert it in the desired position.

The following combinations are possible:

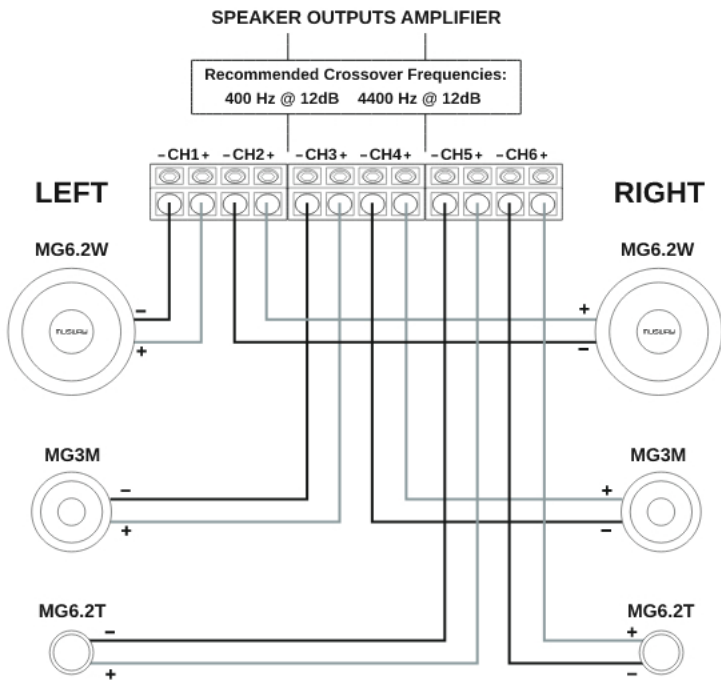
- S1 – Position 1 = 0 dB
- S1 – Position 2 = -2 dB
- S1 – Position 3 = -4 dB
- S1 – Position 4 = -6 dB
- S1 – Position 5 = -8 dB



CONNECTION DIAGRAM MG6.3A

ATTENTION:

In active operation without a crossover, it is essential to observe the specified frequency ranges. Too low frequencies damage the speakers.



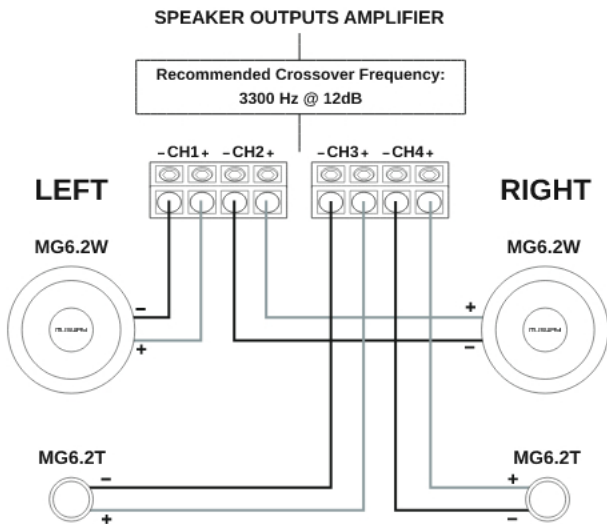
IMPORTANT:

Please pay attention to the correct polarity (+ or -) for all terminals and connections.

CONNECTION DIAGRAM MG6.2A

ATTENTION:

In active operation without a crossover, it is essential to observe the specified frequency ranges. Too low frequencies damage the speakers.



IMPORTANT:

Please pay attention to the correct polarity (+ or -) for all terminals and connections.

NOTES

MUSWAY

MUSIC IS THE WAY

MUSWAY is a brand of Audio Design
26820 Hobie Cir. Suite A-1
Murrieta, CA 92562 USA
+1 951-816-6307
www.muswayusa.com