

VERSION 1.2

# MUSWAY

MUSIC IS THE WAY

# M10

10-CHANNEL CLASS D AMPLIFIER  
WITH 14-CHANNEL DSP

## TECHNICAL SPECIFICATIONS

### POWER SUPPLY

Voltage:	7.6 - 17.3 VDC
Idle Current:	2.0 A
Switched off:	< 0.1 mA
Remote IN:	7,5 - 15 VDC (1 mA)
Remote OUT:	11 - 15 VDC (200 mA)
Internal Fuse on the PC board:	40 A x 2

### AMPLIFIER STAGE

Distortion - THD, 1 kHz @ 4 Ω, 10 W:	0.01 %
Bandwidth -3 dB, 2 V(RMS), 4 Ω:	5 Hz - 22 kHz
S/N ratio @ A weighted, 1 V, Max. Power:	95 dB A
Damping factor @ 1 kHz, 2 V/RMS, 4 Ω:	> 100
Input Sensitivity:	CH 1-8: 8 - 24 V/RMS (high-level) CH 9-10: 8 - 32 V/RMS (high-level) 2 - 6 V/RMS (low-level) 1 - 8 V/RMS (AUX)
Input Impedance:	13 Ω (high-level) 47 kΩ (AUX, low-level)

Output Power @ 13,8 VDC, 1% THD:

8 x 155 Watts RMS @ 2 Ω (Channel 1 - 8 DHR\*) +  
2 x 220 Watts RMS @ 2 Ω (Channel 9 / 10)

8 x 80/135 Watts RMS @ 4/2 Ω (Channel 1 - 8) +  
2 x 120/220 Watts RMS @ 4/2 Ω (Channel 9 / 10)

Output Power bridged @ 13,8 VDC, 1% THD:

4 x 310 Watts RMS @ 4 Ω (Channel - 8 DHR\*) +  
1 x 440 Watts RMS @ 4 Ω (Channel 9 / 10)

4 x 270 Watts RMS @ 4 Ω (Channel 1 - 8) +  
1 x 440 Watts RMS @ 4 Ω (Channel 9 / 10)

\* Musway multi-channel amplifiers use innovative "Dynamic Headroom" (DHR) technology to achieve higher maximum RMS output power in multi-channel applications. This technology shows its strengths above all when not all channels require full power over the entire frequency spectrum at the same time. In active operation, the DHR technology enables the channels that are responsible for the tweeter or midrange to have an even higher dynamic impulse output, from which the entire audio system benefits. Thus, the Musway multi-channel amplifiers with DHR offer an effective and dynamic power reserve that is not available in amplifiers with only one or two channels.

### SIGNAL OUTPUTS

RCA OUT CH11/12 & CH13/14: 5 V/RMS Max.

## TECHNICAL SPECIFICATIONS

### DIGITAL SIGNAL PROCESSOR (64 bit Clock speed: 295 MHz)

Crossover:	Full / Hi Pass / Lo Pass / Band Pass
Crossover type and slope:	Bessel / Butterworth / Linkwitz @ 6/12/18/24/30/36/42/48 dB
Crossover Frequency:	1 Hz step @ 20 Hz - 20 kHz
Phase inversion:	0° / 180°
Output Equalizer:	31-Band Parametrical Equalizer: ±15 dB
Time Alignment Distance:	0 - 602 cm
Time Alignment Delay:	0 - 17 ms
Time Alignment Step:	0.08 ms; 2.8 cm
Time Alignment Fine Set:	0.02 ms; 0.7 cm
Presets (Local Stored):	6 Presets

### GENERAL REQUIREMENTS

PC connections	Micro USB (1.1 / 2.0 / 3.0)
Software/PC requirements:	Microsoft Windows (32/64 bit): XP, Vista, Windows 7, Windows 8, Windows 10, Windows 11
Graphic card min. resolution:	1024 x 768
Ambient operating temperature range:	0 - 55 °C

### SIZE / WEIGHT

Size without brackets (mm):	280 x 45.5 x 166
Net Weight (kg):	1,45

## Declaration of Conformity

**Audio Design GmbH** hereby declares that the **MUSWAY M10** DSP amplifier complies with **Directive 2014/53/EU**. The full declaration of conformity can be viewed at [www.musway.de/CE](http://www.musway.de/CE)

## SCOPE OF DELIVERY

- 1 x M10 DSP Amplifier
- 1 x 1,5 m USB Cable
- 1 x 24-pole Cable Adapter (High Level Inputs)
- 1 x 20-pole Cable Adapter (Speaker Outputs)
- 1 x Mounting Plate incl. Screws
- 1 x Owner's Manual (English/German)
- 2 x 40 A replacement fuse
- 1 x 4 mm hex key

## SAFETY INSTRUCTIONS

**THE PURCHASED DEVICE IS ONLY SUITABLE FOR AN OPERATION WITH A 12V ON-BOARD ELECTRICAL SYSTEM OF A VEHICLE.** Otherwise fire hazard, risk of injury and electric shock consists.

**PLEASE DO NOT MAKE ANY OPERATION OF THE SOUND SYSTEM, WHICH DISTRACT YOU FROM A SAFE DRIVING.** Do not make any procedures, which demand a longer attention. Perform these operations not until you have stopped the vehicle on a safe place. Otherwise the risk of accident consists.

**ADJUST THE SOUND VOLUME TO AN APPROPRIATE LEVEL, THAT YOU ARE STILL ABLE TO HEAR EXTERIOR NOISES WHILE DRIVING.** High performance sound systems in vehicles may generate the acoustic pressure of a live concert. The permanent listening to extreme loud music may cause the loss of your hearing abilities. The hearing of extreme loud music while driving may derogate your cognition of warning signals in the traffic. In the interests of the common safeness, we suggest to drive with a lower sound volume. Otherwise the risk of accident consists.

**DO NOT COVER COOLING VENTS AND HEAT SINKS.** Otherwise this may cause heat accumulation in the device and fire hazard consists.

**DO NOT OPEN THE DEVICE.** Otherwise fire hazard, risk of injury and electric shock consists. Also this may cause a loss of the warranty.

**REPLACE FUSES ONLY WITH FUSE WITH THE SAME RATING.** Otherwise fire hazard and risk of electric shock consists.

**DO NOT USE THE DEVICE ANY LONGER, IF A MALFUNCTION OCCURS, WHICH REMAINS NOT REMEDIED.** Refer in this case to the chapter TROUBLE SHOOTING. Otherwise risk of injury and the damage of the device consists. Commit the device to an authorized retailer.

**INTERCONNECTION AND INSTALLATION SHOULD BE ACCOMPLISHED BY SKILLED STAFF ONLY.** The interconnection and installation of this device demands technical aptitude and experience. For your own safeness, commit the interconnection and installation to your car audio retailer, where you have purchased the device.

**DISCONNECT THE GROUND CONNECTION FROM THE VEHICLE'S BATTERY BEFORE INSTALLATION.** Before you start with the installation of the sound system, disconnect by any means the ground supply wire from the battery, to avoid any risk of electric shock and short circuits.

**CHOOSE AN APPROPRIATE LOCATION FOR THE INSTALLATION OF THE DEVICE.** Look for an appropriate location for the device, which ensures a sufficient air circulation. The best places are spare wheel cavities, and open spaces in the trunk area. Less suitable are storage spaces behind the side coverings or under the car seats.

**DO NOT INSTALL THE DEVICE AT LOCATIONS, WHERE IT WILL BE EXPOSED TO HIGH HUMIDITY AND DUST.** Install the device at a location, where it will be protected from high humidity and dust. If humidity and dust attain inside the device, malfunctions may be caused.

**MOUNT THE DEVICE AND OTHER COMPONENTS OF THE SOUND SYSTEM SUFFICIENTLY.** Otherwise the device and components may get loose and act as dangerous objects, which could cause serious harm and damages in the passenger room.

**ENSURE CORRECT CONNECTION OF ALL TERMINALS.** Faulty connections may could cause fire hazard and lead to damages of the device.

**MOUNT THE DEVICE AND OTHER COMPONENTS OF THE SOUND SYSTEM SUFFICIENTLY.** Otherwise the device and components may get loose and act as dangerous objects, which could cause serious harm and damages in the passenger room.

## SAFETY INSTRUCTIONS

**ENSURE NOT TO DAMAGE COMPONENTS, WIRES AND CABLES OF THE VEHICLE WHEN YOU DRILL THE MOUNTING HOLES.** If you drill the mounting holes for the installation into the vehicle's chassis, ensure by any means, not to damage, block or tangent the fuel pipe, the gas tank, other wires or electrical cables.

**DO NOT INSTALL AUDIO CABLES AND POWER SUPPLY WIRES TOGETHER.** Ensure while installation not to lead the audio cables between the head unit and the processor together with the power supply wires on the same side of the vehicle. The best is a areal separated installation in the left and right cable channel of the vehicle. Therewith a overlap of interferences on the audio signal will be avoided. This stands also for the equipped bass-remote wire, which should be installed not together with the power supply wires, but rather with the audio signal cables.

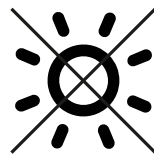
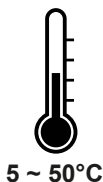
**ENSURE THAT CABLES MAY NOT CAUGHT UP IN CLOSE-BY OBJECTS.** Install all the wires and cables like described on the following pages, therewith these may not hinder the driver. Cables and wires which are installed close-by the steering wheel, gear lever or the brake pedal, may caught up and cause highly dangerous situations.

**DO NOT SPLICE ELECTRICAL WIRES.** The electrical wires should not be bared, to provide power supply to other devices. Otherwise the load capacity of the wire may get overloaded. Use therefor a appropriate distribution block. Otherwise fire hazard and risk of electric shock consists.

**DO NOT USE BOLTS AND SCREW NUTS OF THE BRAKE SYSTEM AS GROUND POINT.** Never use for the installation or the ground point bolts and screw-nuts of the brake system, steering system or other security-relevant components. Otherwise fire hazard consists or the driving safety will be derogated.

**ENSURE NOT TO BEND OR SQUEEZE CABLES AND WIRES BY SHARP OBJECTS.** Do not install cables and wires not close-by movable objects like the seat rail or may be bent or harmed by sharp and barbed edges. If you lead a wire or cable through the hole in a metal sheet, protect the insulation with a rubber grommet.

**KEEP AWAY SMALL PARTS AND JACKS FROM CHILDREN.** If objects like these will be swallowed, the risk of serious injuries consists. Consult promptly a medical doctor, if a child swallowed a small object.



## DISPOSAL/RECYCLING

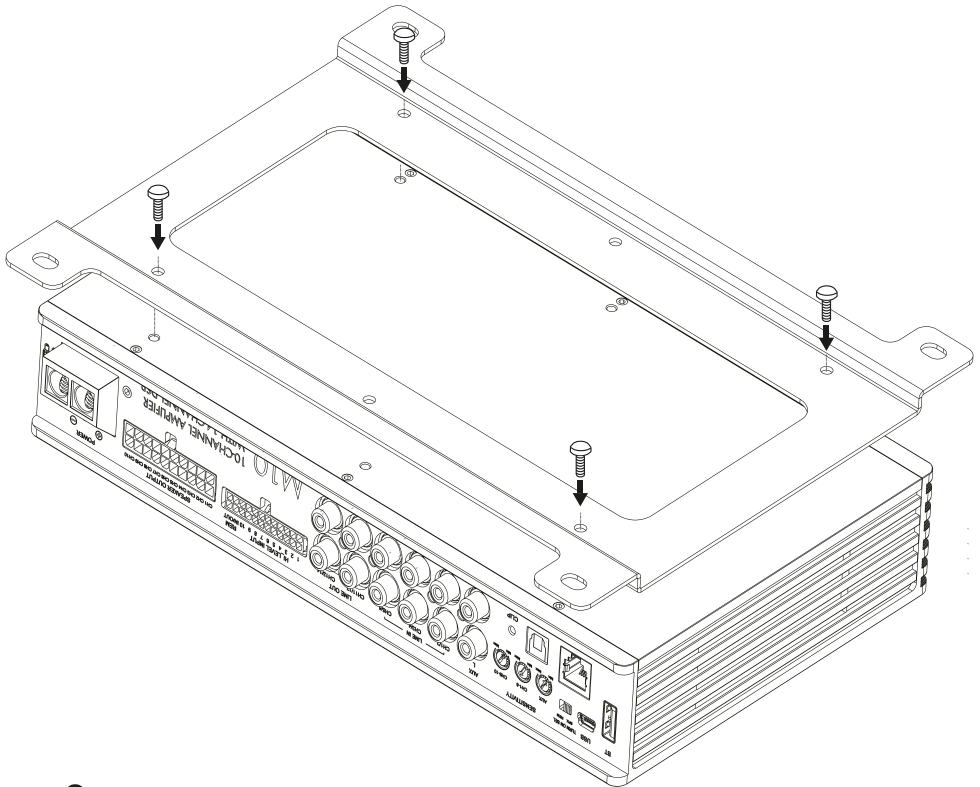
If you have to dispose the device and its components, please note that no electronic devices must be disposed in the household waste. Dispose the device and its components at a suitable recycling facility in accordance with local waste regulations. If necessary, consult your local authority or dealer.

More information at [www.audiodesign.de/english/disposal](http://www.audiodesign.de/english/disposal)



## MECHANICAL INSTALLATION

- Avoid any damages on the components of the vehicle like air bags, cables, board computer, seat belts, gas tank or the like.
- Ensure that the chosen location provides a sufficient air circulation for the amplifier. Do not mount the device into small or sealed spaces without air circulation near by heat dispersing parts or electrical parts of the vehicle.
- Do not mount the amplifier on top of a subwoofer box or any other vibrating parts, whereby parts could loosen inside.
- The wires and cables of power supply and the audio signal must be as short as possible to avoid any losses and interferences.



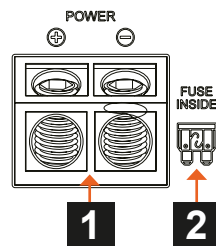
### WARNING

Before you start with the installation, disconnect necessarily the **GROUND** connection wire from the battery to avoid any risk of electric shocks and short circuits.

# INTERCONNECTION

## BEFORE CONNECTING

For the professional installation of a sound system, car audio retail stores offer appropriate wiring kits. Ensure a sufficient profile section (refer to the table below) and a suitable fuse rating and the conductivity of the cables when you purchase your wiring kit. Clean and remove rust-streaked and oxidized areas on the contact points of the battery and the ground connection. Make sure that all screws are fixed tight after the installation, because loose connections cause malfunctions, insufficient power supply or interferences.



### 1 POWER

Connect the POWER + terminal with the +12V pole of the vehicle's battery. Use a suitable cable with a sufficient cross section (refer to the table below).

Connect the POWER – terminal with a suitable contact ground point on the vehicle's chassis. The ground wire must be as short as possible and must be connected to a blank metallic point at the vehicle's chassis. Ensure that this ground point has a stable and safe electric connection to the negative “-” pole of the battery. Check this ground wire from the battery to the ground point if possible and enforce it if required. Use a ground wire with a sufficient cross section (refer to the table below) and the same size like the +12V power supply wire.

### 2 FUSE

The fuses for the amplifier are located inside the housing on the PC board. These fuses (2 x 40 A) are protecting the amplifier from shorts and capacity overload. If you need to replace the fuses, open the housing by unscrewing the bottom plate.

#### ADDITIONAL CABLE FUSE (NOT INCLUDED)

Install an extra fuse (not included) for the +12V power cable near the battery to secure the power cable. The distance between the fuse and the battery should not exceed 30 cm. The fuse size must be adapted to the cable cross-section of the installed power cable (see table below).

**IMPORTANT!:** The fuse on the battery does not protect the amplifier, but the cable between the battery and the amplifier against short circuits.

Fuse Value	Cable length in meters							
	0 - 1,2	1,2 - 2,1	2,1 - 3,1	3,1 - 4,0	4,0 - 4,9	4,9 - 5,8	5,8 - 6,7	6,7 - 8,5
20 - 35 A	4	6	10	10	16	16	16	20
35 - 50 A	6	10	10	16	16	20	20	20
50 - 65 A	10	10	16	20	20	20	20	35
65 - 85 A	16	16	20	20	35	35	35	50
85 - 105 A	16	16	20	35	35	35	35	50
105 - 125 A	20	20	20	35	35	50	50	50
Minimum cable cross-section in mm <sup>2</sup>								

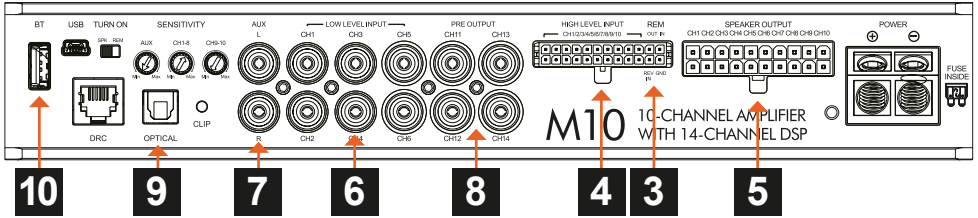
**Recommended minimum cable cross-section to guarantee full amplifier performance:**

Up to a length of 3 m: 20 mm<sup>2</sup> / Full OFC cable

From a length of 3 m: 25 mm<sup>2</sup> / Full OFC cable

Replace defective fuses only with a new one of the same type and with the same fuse rating.

# INTERCONNECTION



## 3 REM OUT / IN

**REM IN** is suited to turn on the M10 if a turn-on signal from the head unit / car stereo is available. The voltage must be between 7.5 and 16 VDC.

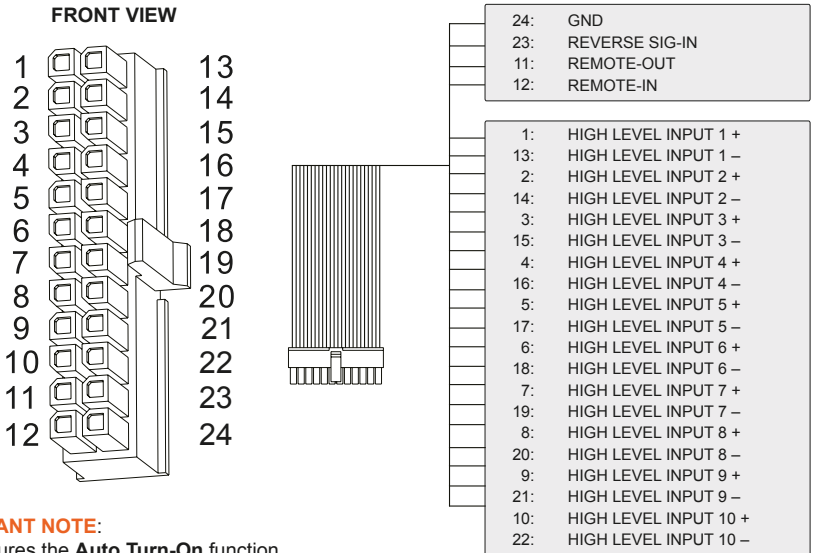
**REM OUT** is suited to turn on external amplifiers. The 200 mA output current capability can also drive an auto-motive relay.

**REV IN** is suited to switch the M10 from Bluetooth® mode to car host mode if the reverse gear is engaged. This means that the audio signals from the parking sensors can be heard through the sound system. Connect the +12 V reverse gear signal or power supply for the reversing light here.

**GND (Ground)** must be connected with a suitable contact ground point on the vehicle's chassis

## 4 HIGH LEVEL INPUT

Input for the enclosed 24-pin cable adapter. Connect the speaker outputs from your head unit / car stereo to the cable adapter accordingly. The inputs can manage 8 - 32 V RMS.



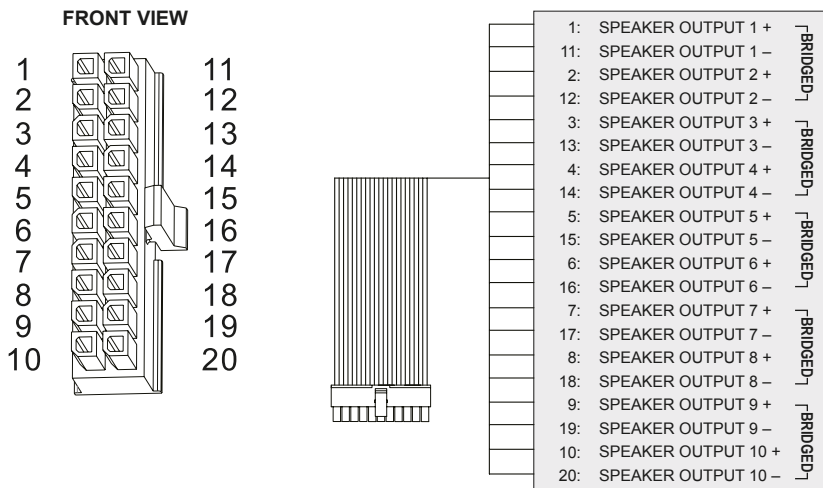
**IMPORTANT NOTE:**  
CH1 features the **Auto Turn-On** function.



## INTERCONNECTION

### 5 SPEAKER OUTPUT

The speaker outputs are amplified and can be operated in BTL mode (bridged). It is recommended to connect here a passive subwoofer bridged (4 Ohms) or an speaker pair (2 - 4 Ohms) for each channel pair.



### 6 LOW LEVEL INPUT CH1- 6:

If you want to use the signal input section with low level signals (e.g. with the pre-amplifier outputs from your head unit / car stereo), connect here the RCA plugs accordingly. The inputs can manage 2 - 6 V RMS.

### 7 AUX

These stereo RCA inputs are suited for an auxiliary low level input signal from an external stereo pre-amplifier source such as a game console or a media player. The inputs can manage 1 - 8 V RMS.

### 8 PRE OUTPUT CH11/12 & CH13/14 (processed by DSP)

Use the pre-amplifier RCA outputs for driving an additional amplifier or an active powered subwoofer. The outputs deliver 5 V RMS Max.

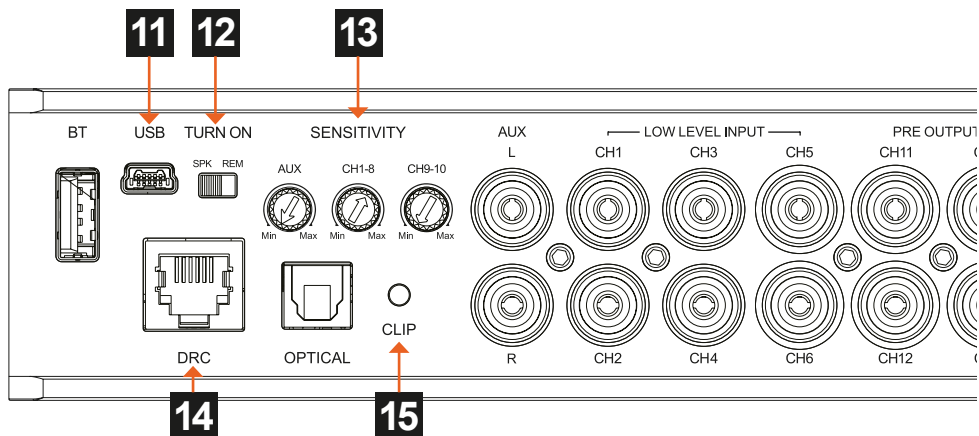
### 9 OPTICAL

The amplifier accepts through its Optical input PCM stereo signals up to 192 kHz / 24 bit sampling frequency rate. Multi-channel signals coming from audio/video sources (such as the audio tracks of a film in DVD) can not be reproduced. Connect a fiber optic cable with a TOSLINK connector.

### 10 BT

This USB input is suited for an external **MUSWAY Bluetooth® dongle** with wireless audio streaming function with/or adjusting the DSP by an APP through a smart phone/mobile device. The compatible dongles are **BTS**, **BTS-HD** and **BTA2**. Check the website "[www.musway.de](http://www.musway.de)" for more information or ask your car audio retailer.

## FUNCTIONAL CONTROLS



### 11 USB

This USB input is suited for the connection with a PC/laptop computer, where the **MUSWAY DSP V3.x** software is installed. The connection is USB 1.1/2.0/3.0 compatible. For downloading the software please visit "[www.musway.de/dsp](http://www.musway.de/dsp)".

### 12 TURN ON

The amplifier can be turned on/off by using the following methods:

- SPK: Slide the switch into position SPK, if you want to turn on/off the amplifier through the CH1 input channel of the high level speaker inputs and its Auto Turn-On function. Refer to page 8 and section 4 for more details.
- REM: Slide the switch into position REM, if you want to turn on/off the amplifier through the REM and a turn-on signal from head unit / car stereo. Refer to page 8 and section 3 for more details.

### 13 SENSITIVITY AUX, CH1-8 & CH9-10

With these controllers you can adjust the input sensitivity for each input section separately. This function is suited to match the output voltage of the connected signal source with the amplifier.

### 14 DRC

This input is suited for the external **MUSWAY DRC1** digital remote controller. Check the website "[www.musway.de](http://www.musway.de)" for more information or ask your car audio retailer.

### 15 CLIP

This LED lights up red if one of the high level inputs (CH1-8 & CH9-10) is overdriven. The LED has no function when an input signal is applied to the Optical input and the Bluetooth® input. If this LED lights up, reduce the input sensitivity by using the regarding "Sensitivity" controller until the LED goes out.

## SYSTEM CONFIGURATION

In order to configure the inputs, amplified speaker outputs and pre-amplified power outputs, EQ and time delays for the amplifier, it must be interfaced with the PC. When you get to this point you must already be aware of what type of system you intend to set up. In order to avoid complications in preparation, make sure the following points before you start:

- The type of signals that will be assigned to the inputs (e.g.: front left or center or subwoofer, etc.).
- The speakers in the system (e.g.: 3-way front or sub stereo or 2-way rear, etc.).
- If there are passive crossovers that manage groups of speakers (e.g.: 3-way systems with active midrange).
- If you intend to use an external mono amplifier to drive a subwoofer.
- If you intend to use the amplified outputs of the amplifier bridged (BTL mode), thus increasing the power on the output.

## INITIAL SYSTEM START-UP

- Download and save the **MUSWAY DSP V3.x** software via “[www.musway.de/dsp](http://www.musway.de/dsp)” before connecting the amplifier to your personal computer.
- Install the amplifier in your vehicle before you connect a computer to it.
- Turn the ignition key to the ACC or ON position.
- Connect a PC/Laptop with the USB terminal of amplifier by using the enclosed USB cable.
- After you have open the DSP software, you can set/adjust all the audio settings on the computer.
- The amplifier is on when the logo on the top lights up in orange. After 10 seconds it becomes operative.



### WARNING

**Before turning on the system, set the head-unit output level to a lower level (approximately 20% of its maximum excursion) to avoid damaging the speakers during calibration.**

**Check again carefully the configuration of the crossovers , the speakers setup. Wrong type of crossover or inappropriate parameter may cause permanent damages on the speakers, especially tweeters without passive crossovers.**

## TROUBLE SHOOTING

**ATTENTION:** All instructions in this troubleshooting refer to the entire sound system and its individual components. The features of your device may not match the functions described in the notes. Then skip this point and move on to the next one.

### NO FUNCTION / THE POWER LED IS NOT ILLUMINATED

#### First check the fuse of the routed power cable on the vehicle battery

##### The fuse is defective

Replace the defective fuse with an equivalent one, never with a higher value.

- The fuse fails again.

In this case there appears to be a short circuit between the fuse and the amplifier. To do this, check the + 12V power cable along its entire length from the battery to the amplifier for damage and whether there is a short circuit to ground, e.g. a contact with the vehicle chassis or the body. If necessary, replace the defective power cable.

##### The fuse is apparently okay

Use a standard 12 volt voltmeter to check the voltage between the + 12V connection and the ground connection on the amplifier.

- There is no voltage.

Use the voltmeter to check the fuse, which is located close to the vehicle battery, to see whether there is voltage between the output and ground.

If there is no voltage there, either the fuse holder or the fuse is defective, although it appears to be okay. If necessary, replace the fuse holder or fuse.

- There is voltage.

If you operate the amplifier with a pre-amplifier signal (RCA), you must have laid a remote turn-on wire from the head unit to the REM terminal of the amplifier. The AUTO TURN-ON switch must be in the OFF position. However, you can test the AUTO TURN-ON switch to SIG. to see if the amplifier then turns on. If so, there is a problem with the control line..

- A remote turn-on wire is connected to the REM terminal at the amplifier.

Use the voltmeter to check whether there is voltage between the REM terminal of the amplifier and ground. The head unit must be switched on.

There is no voltage.

- Check the remote turn-on wire from the amplifier to the head unit for a short circuit or damage. If necessary, replace the control line..

There is voltage.

- The amplifier is probably malfunctioning or defective. Contact your retailer.

If you operate the amplifier with the loudspeaker signals (high level mode), the AUTO TURN-ON switch must be switched to DC.

- The AUTO TURN-ON switch is in the DC position, but the amplifier remains off.

Check the speaker cables from the head unit to the amplifier for short circuits or damage. If necessary, replace the speaker cables or insulate the damaged area.

## TROUBLE SHOOTING

THE POWER LED IS ON, BUT NO SOUND COMES FROM THE SPEAKERS
<b>Check the following steps:</b>
<p><b>Low level mode: Are the RCA cables on the head unit and on the amplifier correctly connected?</b></p> <ul style="list-style-type: none"> <li>• <u>The RCA cables are correctly connected.</u> Then an RCA cables could be defective. Check the function of the RCA cables on another audio device. If necessary, replace the defective RCA cables.</li> </ul>
<p><b>High level mode: Are the loudspeaker cables on the head unit and the high level inputs of the amplifier or on the high level cable plug correctly connected?</b></p> <ul style="list-style-type: none"> <li>• <u>The speaker cables are connected correctly.</u> A speaker cable could be defective. If necessary, replace the speaker cable or insulate the damaged area.</li> </ul>
<p><b>Are the speaker cables correctly connected between the speakers or the subwoofer at the speaker outputs of the amplifier?</b></p> <ul style="list-style-type: none"> <li>• <u>The speaker cables are connected correctly.</u> A speaker cable could be defective. If necessary, replace the speaker cable or insulate the damaged area.</li> </ul>
<p><b>Is the high pass filter or subsonic filter set higher than the low pass filter on the amplifier?</b></p> <p>Then slowly turn down the controller for the high pass filter or subsonic filter until the sound can be heard.</p>
<p><b>Is the input mode switch on the amplifier set correctly?</b></p> <p>Check the setting and change the switch position if necessary.</p>
<p><b>Are the crossover switches on the amplifier set correctly?</b></p> <p>Check the settings and change the respective switch position if necessary.</p>
<p><b>Are the speakers or the subwoofer working?</b></p> <p>Hold a standard 9 volt block battery to the terminals of each loudspeaker or the subwoofer.</p> <ul style="list-style-type: none"> <li>• <u>A faint cracking sound can be heard.</u> The speaker or subwoofer is fine.</li> <li>• <u>There is nothing to be heard.</u> The loudspeaker or subwoofer could be defective. If necessary, replace the defective speaker or subwoofer.</li> </ul>
<p><b>Are the settings on the head unit set correctly?</b></p> <ul style="list-style-type: none"> <li>• Check the fader and balance settings</li> <li>• Check whether the mute function is activated</li> <li>• Check whether a high pass or low pass filter is activated</li> <li>• Check whether playback has been paused</li> <li>• Check the source settings</li> <li>• Check whether any existing subwoofer output is activated</li> </ul>

## TROUBLE SHOOTING

<b>DISTORTION OR HISSING NOISE CAN BE HEARD FROM THE SPEAKERS</b>
<b>Check the following steps:</b>
<b>Is a input level controller on the amplifier set too high?</b> Slowly turn the controller back until you hear a clean audio signal.
<b>Is the Bass Boost controller on the amplifier set too high?</b> Slowly turn the controller back until you hear a clean audio signal.
<b>Is the loudness function on the head unit set too high?</b> Deactivate loudness or turn the loudness setting back until you can hear a clean audio signal.
<b>Are the EQ and sound settings on the head unit set too high?</b> Turn down the settings for Treble, Middle and Bass or deactivate the equalizer until you can hear a clean audio signal.

<b>ENGINE SPEED DEPENDENT NOISE CAN BE HEARD FROM THE SPEAKERS</b>
<b>Check the following steps:</b>
<b>Have the RCA cables been laid separately from the power cable in the vehicle?</b> If necessary, lay the cables again and make sure that the audio cables are laid separately from the power cable on the left and right in the vehicle.
<b>Is the amplifier's ground connection correctly connected?</b> Make sure that the ground connection of the amplifier is not connected directly to the negative pole of the vehicle battery. Select a suitable ground point on the vehicle body for connection. If necessary, use contact spray to improve the conductivity of the connections.
<b>Is the conductivity of the ground cable from the vehicle battery to the body okay?</b> Make sure that the ground connection of the vehicle battery has a stable and conductive connection to the body. If necessary, use contact spray to improve the conductivity of the connections.

<b>AN ACTIVE OPERATED TWEETER IS DISTORTED OR CRACKED</b>
<b>CAUTION: Tweeters will be damaged if the frequencies are too low. Please note the manufacturer's information on which frequency setting is recommended. To be on the safe side, pause the play-back of the head unit first. Check the following steps:</b>
<b>Is the crossover mode switch of the relevant channel pair on the amplifier set correctly?</b> Set the crossover mode switch to the high pass position (HP or HPF).
<b>Is the high pass filter of the relevant channel pair set too low on the amplifier?</b> First turn the high pass controller fully clockwise. Now start playback on the head unit. Then turn the high pass controller slowly counter-clockwise until you can hear a clean sound from the tweeters and produce a balanced sound together with the woofers/mid-range speakers. Make sure that the woofers/mid-range speakers are set correctly with the respective high pass and low pass controllers.

## TROUBLE SHOOTING

AMPLIFIER ACTIVATES THE PROTECTIVE CIRCUIT / THE PROTECT LED ILLUMINATES
<b>Check the following steps:</b>
<p><b>Short circuit on the speaker cables</b></p> <ul style="list-style-type: none"> <li>• First disconnect all speaker cables from the amplifier. Use a multimeter to check the ohmic impedance of each loudspeaker by measuring between its plus and minus lines. With standard loudspeakers the value fluctuates between 3 and 5 ohms. The values for low-resistance subwoofers can be lower.</li> <li>• <u>The measurement shows a resistance value of less than 0.5 Ohms</u> Then there is a short circuit. Remove the wiring of the affected loudspeaker at its connections. Now use the multimeter to check the ohmic impedance directly at the loudspeaker connections by measuring between the plus and minus connections. <ul style="list-style-type: none"> <li>• <u>The measurement shows a resistance value of more than 0.5 Ohms</u> <ul style="list-style-type: none"> <li>• The speaker is fine, so the speaker wire appears to be defective and causing a short circuit. Replace the defective speaker cable.</li> </ul> </li> <li>• <u>The measurement shows a resistance value of less than 0.5 Ohms</u> <ul style="list-style-type: none"> <li>• The speaker appears to be defective and is shorting out. Replace the defective speaker.</li> </ul> </li> </ul> </li> </ul>
<p><b>The load impedance of the loudspeakers or the subwoofer is too low</b></p> <ul style="list-style-type: none"> <li>• Compare the ohmic impedance of the connected loudspeaker or subwoofer with the technical specifications of the amplifier. For example, if the amplifier is only designed for 2 or 4 ohm operation, no loudspeaker with less than 2 ohms may be connected.</li> </ul>
<p><b>The cross-section of the power cables is too small</b></p> <ul style="list-style-type: none"> <li>• If the cable cross-section is too small, this leads to an increased ohmic resistance and thus to a voltage drop (voltage loss). This indicates that the amplifier consumes more power. The increased power consumption results in a significantly higher heat development and the amplifier switches to thermal protection mode. Therefore, observe the recommended cable cross-sections in these instructions and, if necessary, lay power cables with a larger cable cross-section.</li> </ul>
<p><b>The amplifier is overheated</b></p> <ul style="list-style-type: none"> <li>• The heat sink of each amplifier requires sufficient air circulation to be able to dissipate the heat generated during operation. If necessary, change the installation position in favor of better cooling of the amplifier or ensure better air circulation at the installation location.</li> <li>• Turn off the sound system and wait about half an hour for the amplifier to cool down again. With very hot outside temperatures and strong sunlight, enormous heat develops inside the vehicle. The amplifier then activates its thermal protection circuit to prevent damage. After cooling down, the amplifier works properly again.</li> </ul>

**ATTENTION:** All instructions in this troubleshooting refer to the entire sound system and its individual components. The features of your device may not match the functions described in the notes. Then skip this point and move on to the next one.

## TECHNISCHE DATEN

### STROMVERSORGUNG

Betriebsspannung:	7,6 - 17,3 VDC
Ruhestrom:	2,0 A
Ausgeschaltet:	< 0,1 mA
Remote IN Spannung:	7,5 - 15 VDC (1 mA)
Remote OUT Spannung:	11 - 15 VDC (200 mA)
Gerätesicherung (im Gehäuseinnern auf der Platine):	40 A x 2

### VERSTÄRKER

Klirrfaktor - THD, 1 kHz @ 4 Ω, 10 W:	0,01 %
Frequenzgang -3 dB, 2 V/RMS, 4 Ω:	5 Hz - 22 kHz
Signalrauschabstand @ A gewichtet, 1 V, Max. Leistung:	100 dB A
Dämpfungsfaktor @ 1 kHz, 2 V/RMS, 4 Ω:	> 70
Eingangsempfindlichkeit:	CH 1-8: 8 - 24 V/RMS (Hochpegel) CH 9-10: 8 - 32 V/RMS (Hochpegel) 2 - 6 V/RMS (Niedrigpegel) 1 - 8 V/RMS (AUX)
Eingangsimpedanz:	13 Ω (Hochpegel) 47 kΩ (AUX, Niedrigpegel)

Ausgangsleistung @ 13,8 VDC, 1% THD:

8 x 155 Watt RMS @ 2 Ω (Kanal 1 - 8 DHR\*) +  
2 x 220 Watt RMS @ 2 Ω (Kanal 9 / 10)

8 x 80/135 Watt RMS @ 4/2 Ω (Kanal 1 - 8) +  
2 x 120/220 Watt RMS @ 4/2 Ω (Kanal 9 / 10)

Ausgangsleistung gebrückt @ 13,8 VDC, 1% THD:

4 x 310 Watt RMS @ 4 Ω (Kanal 1 - 8 DHR\*) +  
1 x 440 Watt RMS @ 4 Ω (Kanal 9 / 10)

4 x 270 Watt RMS @ 4 Ω (Kanal 1 - 8) +  
1 x 440 Watt RMS @ 4 Ω (Kanal 9 / 10)

\* Musway Mehrkanal-Verstärker nutzen die innovative „Dynamic Headroom“ (DHR)-Technologie, um in Mehrkanal-Anwendungen eine höhere maximale RMS-Ausgangsleistung zu erreichen. Diese Technologie zeigt ihre Stärken vor allem dann, wenn nicht alle Kanäle gleichzeitig die volle Leistung über das gesamte Frequenzspektrum benötigen. Im Aktivbetrieb ermöglicht die DHR-Technologie speziell den Kanälen, die für Hoch- oder Mitteltoner zuständig sind, eine noch höhere dynamische Impulsleistung, von der die gesamte Audioanlage profitiert. Somit bieten die Musway Mehrkanal-Verstärker mit DHR eine effektive und dynamische Leistungsreserve, die bei Verstärkern mit nur einem oder zwei Kanälen nicht vorhanden ist.

### SIGNALAUSGÄNGE

RCA/Cinch Vorverstärkerausgänge CH11/12 & CH13/14: 5 V/RMS Max.



## TECHNISCHE DATEN

### DIGITALER SIGNAL PROZESSOR (64 bit, 295 MHz)

Frequenzweichen:	Vollbereich / Hochpass / Tiefpass / Bandpass
Frequenzweichtyp/Flankensteilheit:	Bessel / Butterworth / Linkwitz @ 6/12/18/24/30/36/42/48 dB
Frequenz:	1 Hz Schritte @ 20 Hz - 20 kHz
Phasenverschiebung:	0° / 180°
Ausgangsequazer:	31-Band Parametrischer Equalizer: ±15 dB
Abstand Laufzeitkorrektur:	0 - 602 cm
Verzögerung Laufzeitkorrektur:	0 - 17 ms
Schritte Laufzeitkorrektur:	0,08 ms; 2,8 cm
Feineinstellung Laufzeitkorrektur:	0,02 ms; 0,7 cm
Presets/Speicherplätze (Lokal gespeichert):	6 Presets/Speicherplätze

### ALLGEMEINE ANFORDERUNGEN

PC Verbindung	Micro USB (1.1 / 2.0 / 3.0)
Software/PC Anforderungen:	Microsoft Windows (32/64 bit): XP, Vista, Windows 7, Windows 8, Windows 10, Windows 11
Grafikkarte min. Auflösung:	1024 x 768
Umgebungstemperaturbereich:	0 - 55 °C

### GRÖSSE / GEWICHT

Größe ohne Montagehalter (mm):	280 x 45.5 x 166
Nettogewicht (kg):	1,45

## CE Konformitätserklärung

Hiermit erklärt die **Audio Design GmbH**, dass der **MUSWAY M10** DSP-Verstärker der Richtlinie **2014/53/EU** entspricht. Die vollständige Konformitätserklärung finden Sie unter **[www.musway.de/CE](http://www.musway.de/CE)**

## LIEFERUMFANG

- 1 x M10 DSP Verstärker
- 1 x 1,5 m USB Kabel
- 1 x 24-poliger Kabelstecker (Hochpegeleingänge)
- 1 x 20-poliger Kabelstecker (Lautsprecherausgänge)
- 1 x Montageplatte inkl. Schrauben
- 1 x Bedienungsanleitung (Englisch/Deutsch)
- 2 x 40 A Geräteversicherung
- 1 x 4 mm Innensechskant-Winkelschraubendreher

## SICHERHEITSHINWEISE

**DAS VON IHNEN ERWORBENE GERÄT IST NUR FÜR DEN BETRIEB AN EINEM 12-V-BORDNETZ EINES FAHRZEUGS AUSGELEGT.** Andernfalls besteht Feuergefahr, die Gefahr eines elektrischen Schlages oder anderer Verletzungen.

**BITTE KEINE BEDIENUNG DES SOUNDSYSTEMS AUSFÜHREN, WELCHE VOM SICHEREN LENKEN DES FAHRZEUGS ABLENKEN KÖNNTE.** Führen Sie keine Bedienungen aus, die Ihre Aufmerksamkeit längere Zeit in Anspruch nehmen. Stoppen Sie besser das Fahrzeug an einer sicheren Stelle am Straßenrand, bevor Sie solche Bedienungen ausführen. Andernfalls besteht Unfallgefahr.

**DIE LAUTSTÄRKE NUR SO HOCH EINSTELLEN, DASS SIE WÄHREND DER FAHRT NOCH AUSSENGERÄUSCHE WAHRNEHMEN KÖNNEN.** Hochleistungsaudiosysteme in Fahrzeugen, können den Schallpegel eines "Live-Konzertes" erzeugen. Dauerhaft extrem lauter Musik ausgesetzt zu sein kann den Verlust des Hörvermögens oder Hörschäden zur Folge haben. Das Hören von lauter Musik beim Autofahren kann Ihre Wahrnehmung (Warnsignale) beeinträchtigen. Im Interesse der allgemeinen Sicherheit empfehlen wir das Musikhören beim Autofahren mit geringer Lautstärke. Andernfalls besteht Unfallgefahr.

**LÜFTUNGSÖFFNUNGEN UND KÜHLKÖRPER NICHT ABDECKEN.** Andernfalls kann es zu einem Wärmestau im Gerät kommen und es besteht Feuergefahr.

**DAS GERÄT AUF KEINEN FALL ÖFFNEN.** Andernfalls besteht Unfallgefahr, Feuergefahr oder die Gefahr eines elektrischen Schlages. Das Öffnen des Gerätes hat auch einen Garantieverlust zur Folge.

**SICHERUNGEN IMMER DURCH SOLCHE MIT DER RICHTIGEN AMPEREZAHL ERSETZEN.** Andernfalls besteht Feuergefahr oder die Gefahr eines elektrischen Schlages.

**DAS GERÄT NICHT WEITERBENUTZEN, WENN EINE FEHLFUNKTION AUFTRITT, DIE NICHT VON IHNEN BEHOBEN WERDEN KANN.** Beachten Sie dazu den Abschnitt FEHLERBEHEBUNG. Andernfalls kann es zu Verletzungen oder Schäden am Gerät kommen. Geben Sie das Gerät zu Reparaturzwecken an einen autorisierten Händler oder den nächsten Kundendienst.

**DIE INSTALLATION EINES PUFFERKONDENSATORS MIT AUSREICHENDER KAPAZITÄT WIRD EMPFOHLEN.** Hochleistungsverstärker verursachen sehr hohe Spannungsabfälle und benötigen eine sehr hohe Stromstärke bei hoher Leistung. Um das Bordnetz des Fahrzeuges nicht übermäßig zu belasten, wird die Installation eines Pufferkondensators (auch Pufferelko, Powercap oder Power Capacitor genannt) empfohlen, der parallel zum Verstärker und zur Stromquelle als Puffer fungiert. Lassen Sie sich am besten im Car Audio Fachhandel beraten.

**VERKABELUNG UND EINBAU VON FACHPERSONAL AUSFÜHREN LASSEN.** Die Verkabelung und der Einbau dieses Gerätes erfordern technisches Geschick und Erfahrung. Zu Ihrer eigenen Sicherheit sollten Sie Verkabelung und Einbau dem Händler überlassen, bei dem Sie das Gerät erworben haben.

**VOR DER INSTALLATION DAS KABEL VOM MASSEPOL DER BATTERIE ABKLEMMEN.** Bevor Sie mit der Installation des Soundsystems beginnen, trennen Sie unbedingt den Massepol der Autobatterie ab, um Kurzschlüsse und Stromschläge zu vermeiden.

**WÄHLEN SIE EINEN GEEIGNETEN EINBAUORT.** Suchen Sie einen geeigneten Einbauort für das Gerät, bei dem ausreichend Raum für eine kühlende Luftzirkulation vorherrscht. Am besten geeignet sind Reserveradmulden und offene Bereiche im Kofferraum. Weniger geeignet sind Stauräume hinter der Seitenverkleidung oder Bereiche unter den Fahrzeugsitzen.

**DAS GERÄT NICHT AN STELLEN EINBAUEN, AN DENEN ES HOHER FEUCHTIGKEIT ODER STAUB AUSGESETZT IST.** Bauen Sie das Gerät so ein, dass es vor hoher Feuchtigkeit und Staub geschützt ist. Wenn Feuchtigkeit oder Staub in das Gerät gelangen, kann es zu Betriebsstörungen kommen. Schäden am Gerät, welche durch Feuchtigkeit hervorgerufen wurden, unterliegen nicht der Garantie.

**DAS GERÄT SOWIE ANDERE KOMPONENTEN DES SOUNDSYSTEMS AUSREICHEND BEFESTIGEN.** Andernfalls könnten sich die Geräte und Komponenten während der Fahrt lösen und als gefährliche Geschosse im Fahrgastraum Beschädigungen und Verletzungen hervorrufen.

**BEIM BOHREN VON LÖCHERN, BESTEHENDE KOMPONENTEN, LEITUNGEN UND KABEL DES FAHRZEUGS NICHT BESCHÄDIGEN.** Wenn Sie bei der Installation Löcher in das Fahrzeugchassis bohren, achten Sie unbedingt darauf die Kraftstoffleitungen, den Benzintank, elektrische Kabel und andere Leitungen nicht zu beschädigen, zu berühren oder zu blockieren.

## SICHERHEITSHINWEISE

**AUF KORREKTE ANSCHLÜSSE ACHTEN.** Bei fehlerhaften Anschlüssen besteht Feuergefahr, Kurzschlussgefahr und es kann zu Schäden am Gerät kommen.

**AUDIOKABEL UND STROMKABEL SOLLTEN NICHT ZUSAMMEN VERLEGT WERDEN.** Bei der Installation des Audiokabels zwischen dem Cinch-Ausgang des Autoradios und dem Cinch-Eingang des Verstärkers im Fahrzeug ist darauf zu achten, dass das Audio- und das Stromversorgungskabel möglichst nicht auf der selben Seite des Fahrzeugs verlegt werden. Besser ist eine räumlich getrennte Installation, im rechten und linken Kabelschacht des Fahrzeugs. Damit wird das Überlagern von Störungen auf das Audio-Signal verringert. Dieses gilt ebenfalls für das Verbindungskabel der beiliegenden Kabel-Fernbedienung. Das Kabel sollte nicht auf der Seite der Stromversorgungsleitung verlegt werden, sondern zusammen mit den Audiokabeln.

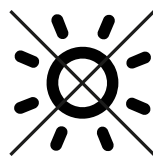
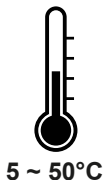
**SORGEN SIE DAFÜR, DASS SICH DIE KABEL NICHT IN GEGENSTÄNDEN IN DER NÄHE VERFANGEN.** Verlegen Sie die Kabel wie auf den folgenden Seiten beschrieben, damit diese beim Fahren nicht hinderlich sind. Kabel die sich im Bereich des Lenkrads, des Schalthebels oder im Bremspedal usw. verfangen können, führen zu äußerst gefährlichen Situationen.

**ELEKTRISCHE KABEL NICHT SPLEISSEN.** Kabel dürfen nicht abisoliert werden, um andere Geräte mit Strom zu versorgen. Andernfalls wird die Strombelastbarkeit des Kabels überschritten, und es besteht Feuergefahr oder die Gefahr eines elektrischen Schlagens. Verwenden Sie hierfür am besten geeignete Verteilerblöcke.

**BOLZEN UND MUTTERN DER BREMSANLAGE NICHT ALS MASSEPUNKT VERWENDEN.** Verwenden Sie für den Einbau oder Masseanschluss keine Bolzen oder Muttern der Brems- bzw. Lenkanlage oder eines anderen sicherheitsrelevanten Systems. Andernfalls besteht Feuergefahr oder die Fahrsicherheit ist beeinträchtigt.

**DIE KABEL SO VERLEGEN, DASS SIE NICHT GEKNICKT ODER DURCH SCHARFE KANTEN GEQUETSCHT WERDEN.** Verlegen Sie die Kabel so, dass sie sich nicht in beweglichen Teilen wie den Sitzschienen verfangen oder an scharfen Kanten oder spitzen Ecken beschädigt werden können. Wenn Sie ein Kabel durch eine Bohrung in einer Metallplatte führen, schützen Sie die Kabelisolierung mit einer Gummitülle vor Beschädigungen durch Metallkanten der Bohrung.

**KLEINTEILE WIE SCHRAUBEN UND ANSCHLUSS-STECKER VON KINDERN FERNHALTEN.** Werden solche Gegenstände verschluckt, besteht die Gefahr schwerwiegender Verletzungen. Suchen Sie unverzüglich einen Arzt auf, sollte ein Kind einen solchen Gegenstand verschluckt haben.



## ENTSORGUNG/ RECYCLING

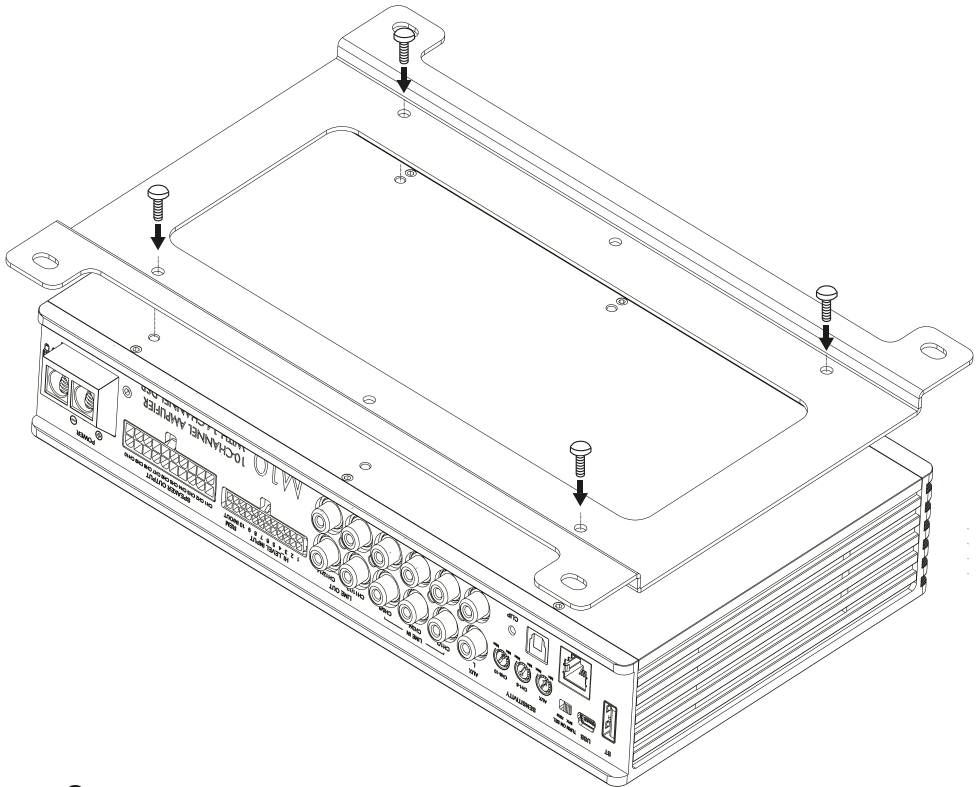
Falls Sie das Gerät samt Komponenten entsorgen müssen, beachten Sie, dass keine elektronischen Geräte im Hausmüll entsorgt werden dürfen. Entsorgen Sie das Gerät samt Komponenten in einer geeigneten Recyclinganlage gemäß den örtlichen Abfallbestimmungen. Konsultieren Sie gegebenenfalls Ihre örtliche Behörde oder Ihren Händler.

Mehr Informationen unter [www.audiodesign.de/entsorgung](http://www.audiodesign.de/entsorgung)



## MECHANISCHE INSTALLATION

- Achten Sie bei der Installation darauf, dass keine serienmäßig im KFZ vorhandenen Teile wie z.B. Kabel, Bordcomputer, Sicherheitsgurte, Tank oder ähnliche Teile beschädigt bzw. entfernt werden.
- Vergewissern Sie sich, dass der Verstärker am Montageort genügend Kühlung erhält. Montieren Sie das Gerät nicht in zu kleine, abgeschlossene Gehäuse ohne Luftzirkulation, in die Nähe von wärmeabstrahlende Teilen oder elektronischen Steuerungen des Fahrzeuges.
- Montieren Sie den Verstärker auf keinen Fall auf ein Bassgehäuse oder andere vibrierende Teile, dadurch können sich die Bauteile im Inneren losvibrieren und das Gerät ernsthaft beschädigen.
- Die Kabel der Stromversorgung und die Audiosignalkabel sollten bei dem Einbau so kurz als möglich gehalten werden, um Verluste und Störungen zu vermeiden.



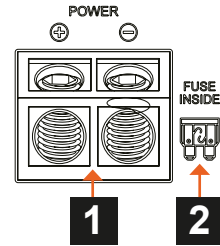
### ACHTUNG

Bevor Sie mit der Installation des Soundsystems beginnen, trennen Sie unbedingt den Massepol der Fahrzeugbatterie ab, um Kurzschlüsse und Stromschläge zu vermeiden.

# ANSCHLUSS

## VOR DEM ANSCHLIESSEN

Für den fachgerechten Anschluss des Soundsystems sind geeignete Kabelsets im Fachhandel erhältlich. Achten Sie beim Kauf auf einen ausreichenden Kabelquerschnitt (siehe Tabelle unten), den passenden Sicherungswert sowie auf die Leitfähigkeit der Kabel. Säubern und entfernen Sie vorhandene Rost- und Oxidationsstellen an allen Kontaktpunkten der Batterie und an den Massepunkten. Ziehen Sie nach der Installation alle Schrauben fest an, denn ein lockerer Anschluss kann eine Fehlfunktion, unzureichende Stromversorgung oder Störgeräusche sowie Verzerrungen verursachen.



### 1

### POWER

Verbinden Sie den POWER + Anschluss mit dem 12 Volt Pluspol der Fahrzeugbatterie mit dem dafür vorgesehenen Kabel (siehe dazu die Tabelle unten).

Verbinden Sie den POWER – Anschluss mit einem geeigneten Massepunkt am Fahrzeugchassis. Das Massekabel sollte möglichst kurz sein und an einem blanken, metallischen Punkt angebracht werden. Achten Sie darauf, dass dieser Punkt eine sichere elektrische Verbindung zum Minuspol der Fahrzeugbatterie hat. Überprüfen Sie zudem die Masseleitung von der Batterie zur Karosserie und verstärken diese wenn nötig. Verwenden Sie zum Anschluss ein ausreichend dimensioniertes Massekabel (siehe dazu die Tabelle unten). Der Querschnitt muss dabei genauso groß wie bei der Plusleitung gewählt werden.

### 2

### FUSE

Die Sicherungen für den Verstärker befinden sich im Inneren des Gehäuses auf der Platine. Diese Sicherungen (2 x 40 A) schützen den Verstärker vor Kurzschlüssen und Überlastung. Wenn Sie die Sicherungen austauschen müssen, öffnen Sie das Gehäuse, indem Sie die Bodenplatte abschrauben.

### ZUSÄTZLICHE KABELSICHERUNG (NICHT IM LIEFERUMFANG ENTHALTEN)

Installieren Sie eine zusätzliche Sicherung für das Stromkabel in der Nähe der Batterie. Der Abstand zwischen Sicherung und Batterie sollte nicht mehr als 30 cm betragen. Die Sicherungsgröße muss dem Kabelquerschnitt des verlegten Stromkabels angepasst sein (siehe Tabelle unten).

**WICHTIG:** Die Sicherung an der Batterie sichert nicht den Verstärker, sondern die Leitung zwischen Batterie und Verstärker gegen Kurzschluss.

Sicherungswert	Kabellänge in m								
	0 - 1,2	1,2 - 2,1	2,1 - 3,1	3,1 - 4,0	4,0 - 4,9	4,9 - 5,8	5,8 - 6,7	6,7 - 8,5	
20 - 35 A	4	6	10	10	16	16	16	20	
35 - 50 A	6	10	10	16	16	20	20	20	
50 - 65 A	10	10	16	20	20	20	20	35	
65 - 85 A	16	16	20	20	35	35	35	50	
85 - 105 A	16	16	20	35	35	35	35	50	
105 - 125 A	20	20	20	35	35	50	50	50	
Mindestkabelquerschnitt in mm <sup>2</sup>									

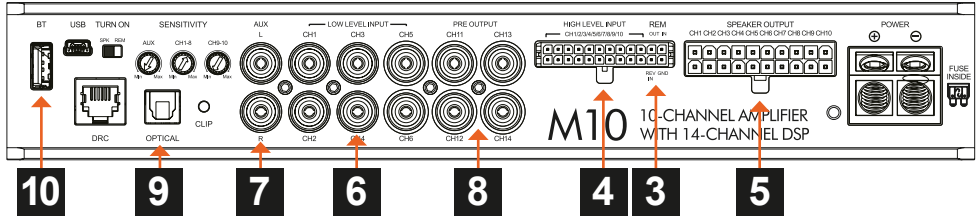
**Empfohlener Mindestkabelquerschnitt um die volle Verstärkerleistung zu garantieren:**

**Bis 3 m Länge: 20 mm<sup>2</sup> / OFC Vollkupferkabel**

**Ab 3 m Länge: 25 mm<sup>2</sup> / OFC Vollkupferkabel**

**Ersetzen Sie defekte Sicherungen nur durch eine gleichen Typs mit gleichem Sicherungswert.**

# ANSCHLUSS



## 3 REM OUT / IN

**REM IN** ist geeignet, um den Verstärker einzuschalten wenn ein Einschaltsignal vom Steuergerät/ Autoradio verfügbar ist. Die Spannung muss zwischen 7,5 und 16 VDC liegen.

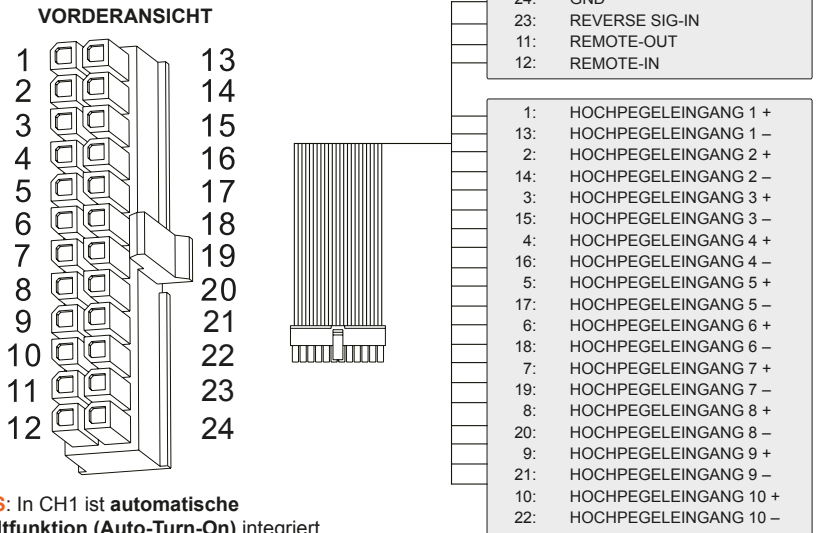
**REM OUT** ist geeignet, um z.B. einen weiteren Verstärker einzuschalten. Mit einer Ausgangsstromstärke von 200 mA kann auch ein automatisches Relais angesteuert werden.

**REV IN** ist geeignet, den M10 bei eingelegtem Rückwärtsgang vom Bluetooth®-Modus in den Car-Host-Modus zu schalten. Dadurch sind die Audiosignale der Parkensensoren über das Soundsystem zu hören. Schließen Sie hier das +12-V-Rückfahrsignal oder die Stromversorgung für den Rückfahrcheinwerfer an.

**GND (Ground)** muss mit einem geeigneten Massepunkt am Fahrzeugchassis verbunden werden

## 4 HIGH LEVEL INPUT

Eingang für den beiliegenden 24-poligen Kabeladapter. Verbinden Sie die Lautsprecherausgänge Ihres Steuergeräts/ Autoradios entsprechend mit dem Kabeladapter. Die Eingänge sind für 8 - 32 V RMS ausgelegt.

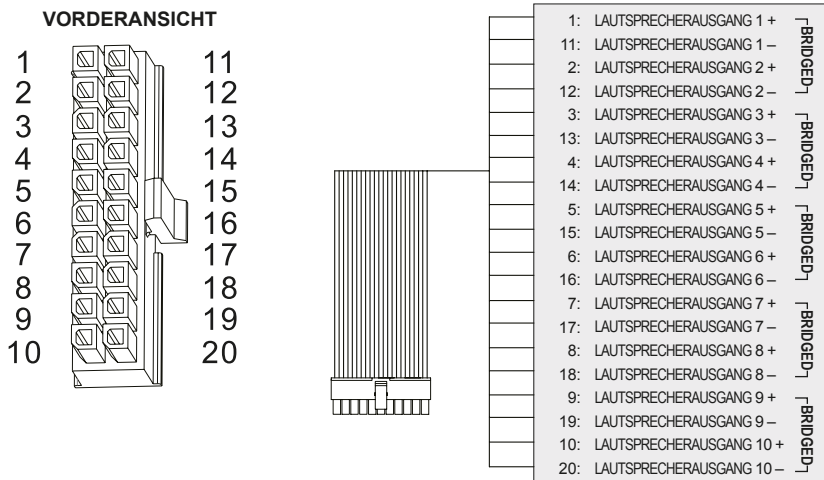


**HINWEIS:** In CH1 ist automatische Einschaltfunktion (Auto-Turn-On) integriert.

## ANSCHLUSS

### 5 SPEAKER OUTPUT

Die Lautsprecherausgänge werden verstärkt und können im BTL-Modus (gebrückt) betrieben werden. Es wird empfohlen, hier für jedes Kanalpaar einen passiven Subwoofer gebrückt (4 Ohm) oder ein zusätzliches Lautsprecherpaar (2 - 4 Ohm) anzuschließen.



### 6 LOW LEVEL INPUT CH1-6 (Niederpegelgänge):

Wenn Sie die Eingangssektion mit Niederpegelsignalen verwenden möchten (z. B. mit den Vorverstärkerausgängen Ihres Steuergeräts/Autoradios), schließen Sie hier die Cinch-Stecker entsprechend an. Die Eingänge sind für 2 - 6 V RMS ausgelegt.

### 7 AUX

Diese Stereo-Cinch-Eingänge eignen sich für ein zusätzliches Niederpegelsignal von einer externen Stereoquelle wie z.B. von einer Spielekonsole. Die Eingänge sind für 1 - 8 V RMS ausgelegt

### 8 PRE OUTPUT CH11/12 & CH13/14 (DSP prozessiert)

Verwenden Sie die Vorverstärker-Cinch-Ausgänge zum Ansteuern eines zusätzlichen Verstärkers oder eines aktiven Subwoofers. Die Ausgänge liefern max. 5 V RMS.

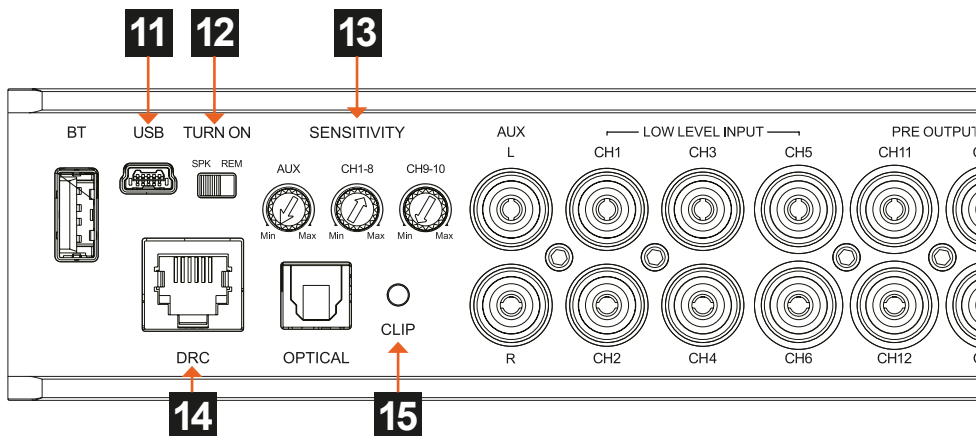
### 9 OPTICAL

Der Verstärker akzeptiert über seinen optischen Eingang PCM-Stereosignale (192 kHz / 24 Bit). Mehrkanalsignale von Audio-/Videoquellen (z. B. die Audiospuren eines Films auf DVD) können nicht wiedergegeben werden. Schließen Sie ein Glasfaserkabel mit einem TOSLINK-Anschluss an.

### 10 BT

Dieser USB-Eingang ist für externen **MUSWAY Bluetooth® Dongle** mit drahtloser Audio-Streaming-Funktion mit/oder Anpassung des DSP über die APP mit einem Smartphone/Mobilgerät. Die kompatiblen Dongles sind **BTS**, **BTS-HD** und **BTA2**. Informieren Sie sich unter „[www.musway.de](http://www.musway.de)“ oder fragen Sie Ihren Fachhändler.

## FUNKTIONSBESCHREIBUNG



### 11 USB

Dieser USB-Eingang ist für die Verbindung mit einem PC/Laptop-Computer geeignet, auf dem die **MUSWAY DSP V3.x** Software installiert ist. Die Verbindung ist USB 1.1 / 2.0 / 3.0 kompatibel. Zum Herunterladen der Software besuchen Sie bitte „[www.musway.de/dsp](http://www.musway.de/dsp)“.

### 12 TURN ON (Einschaltauswahl)

Der Verstärker kann mithilfe der folgenden Methoden ein- und ausgeschaltet werden:

**SPK:** Schieben Sie den Schalter in Position SPK, wenn Sie den Verstärker über CH1 und dessen automatische Einschaltfunktion ein-/ausschalten möchten. Weitere Informationen finden Sie auf Seite 22 und Abschnitt 4.

**REM:** Schieben Sie den Schalter in Position REM, wenn Sie den Verstärker über REM und das Einschaltsignal vom Autoradio ein-/ausschalten möchten. Weitere Informationen finden Sie auf Seite 22 und Abschnitt 3.

### 13 SENSITIVITY AUX, CH1-8 & CH9-10

Mit diesen Reglern können Sie die Eingangsempfindlichkeit für die analogen Eingänge einstellen. Diese Funktion ist geeignet, um die Ausgangsspannung der angeschlossenen Signalquelle an den Verstärker anzupassen.

### 14 DRC

Dieser Eingang ist für die externe digitale Fernbedienung **MUSWAY DRC1** geeignet. Auf der Website „[www.musway.de](http://www.musway.de)“ finden Sie weitere Informationen oder fragen Sie Ihren Fachhändler.

### 15 CLIP

Diese LED leuchtet rot wenn einer der Hochpegelgänge (CH1-8 & CH9-10) übersteuert ist. Die LED hat keine Funktion am optischen Eingang und Bluetooth-Eingang. Wenn diese LED leuchtet, verringern Sie die Eingangsempfindlichkeit, indem Sie den entsprechenden Regler unter „Sensitivity“ zurückdrehen bis die LED erlischt.



## SYSTEMKONFIGURATION

Um sämtliche Ein- und Ausgänge, den EQ und Laufzeitkorrektur für den Verstärker zu konfigurieren, muss eine Verbindung mit einem PC/Laptop hergestellt werden. Wenn Sie an diesen Punkt kommen, müssen Sie bereits wissen, welche Art von System Sie einrichten möchten. Um Komplikationen bei der Vorbereitung zu vermeiden, legen Sie folgende Punkte fest bevor Sie beginnen:

- Die Art der Signale, die den Eingängen zugewiesen werden (z. B. vorne links oder Mitte oder Subwoofer usw.).
- Die Belegung der Lautsprecher im System (z. B. 3-Wege-Front oder Sub-Stereo oder 2-Wege-Rückseite, etc.).
- Ob eine passive Frequenzweichenschaltung verwendet wird, (z. B. 3-Wege-Systeme mit aktivem Mitteltöner).
- Ob Sie einen externen Monoverstärker zum Ansteuern eines Subwoofers verwenden möchten.
- Ob Sie beabsichtigen, die verstärkten Ausgänge des Verstärkers zu brücken (BTL-Modus), denn dadurch erhöht sich die Leistung am Ausgang.

## ERSTER SYSTEM START

- Laden und speichern Sie die **MUSWAY DSP V3.x** Software unter bitte „[www.musway.de/dsp](http://www.musway.de/dsp)“, bevor Sie den Verstärker an Ihren PC anschließen.
- Installieren Sie den Verstärker in Ihrem Fahrzeug, bevor Sie einen Computer an ihn anschließen.
- Den Zündschlüssel in die Stellung ACC oder ON drehen.
- Schließen Sie einen PC/Laptop über das mitgelieferte USB-Kabel an den Verstärker an.
- Nachdem Sie die DSP-Software geöffnet haben, können Sie alle Einstellungen am Computer anpassen.
- Der Verstärker ist eingeschaltet, wenn das Logo auf der Oberseite orange leuchtet. Nach etwas 10 Sekunden ist der Verstärker samt DSP steuerbar.



### ACHTUNG

**Bevor Sie das System einschalten, stellen Sie den Ausgangspegel des Autoradios auf einen niedrigeren Pegel ein (ca. 20% der maximalen Auslenkung), um eine Beschädigung der Lautsprecher während der Konfiguration zu vermeiden.**

**Bevor Sie das Soundsystem einschalten, überprüfen Sie nochmals sorgfältig die Konfiguration der Frequenzweichen und Lautsprecher. Eine falsch eingestellte Frequenzweiche oder ungeeignete Parameter können zu dauerhaften Schäden an den Lautsprechern führen, insbesondere an Hochtönern ohne passive Frequenzweichen.**

## FEHLERBEHEBUNG

**ACHTUNG:** Sämtliche Hinweise dieser Fehlerbehebung beziehen sich auf das gesamte Soundsystem und deren Einzelkomponenten. Unter Umständen entspricht die Ausstattung Ihres Geräts nicht den in den Hinweisen beschriebenen Funktionen. Überspringen Sie dann diesen Punkt und machen mit dem nächsten weiter.

### KEINE FUNKTION / DIE POWER LED LEUCHTET NICHT

#### Überprüfen Sie zuerst die Sicherung des verlegten Stromkabels an der Fahrzeugbatterie

##### Die Sicherung ist defekt

Ersetzen Sie die defekte Sicherung mit einer gleichwertigen, keinesfalls mit einem höheren Wert.

- Die Sicherung fällt erneut aus.

In diesem Fall scheint ein Kurzschluss zwischen Sicherung und Verstärker vorzuliegen. Überprüfen Sie dazu das +12V Stromkabel auf ganzer Länge von der Batterie bis zum Verstärker auf Beschädigungen und ob ein Kurzschluss mit Masse vorliegt, z.B. ein Kontakt zum Fahrzeugchassis oder der Karosserie. Ersetzen Sie gegebenenfalls das defekte Stromkabel.

##### Die Sicherung ist augenscheinlich in Ordnung

Überprüfen Sie mithilfe eines handelsüblichen 12 Volt Spannungsmessers die Spannung zwischen dem +12V Anschluss und dem Masseanschluss am Verstärker.

- Es liegt keine Spannung an.

Überprüfen Sie mithilfe des Spannungsmessers die Sicherung, die in der Nähe an der Fahrzeugbatterie befindet, ob dort zwischen dem Ausgang und Masse Spannung anliegt.

Liegt dort keine Spannung an, ist entweder der Sicherungshalter oder doch die Sicherung defekt, obwohl diese in Ordnung zu sein scheint. Ersetzen Sie gegebenenfalls den Sicherungshalter oder die Sicherung.

- Es liegt Spannung an.

Wenn Sie den Verstärker mit einem Vorverstärkersignal (Cinch/RCA) betreiben, müssen Sie eine Steuerleitung (REM) vom Autoradio/Steuergerät zum REM Anschluss des Verstärker gelegt haben. Der AUTO TURN-ON Schalter muss sich hierbei in Schalterstellung OFF befinden. Sie können jedoch testweise den AUTO TURN-ON Schalter auf SIG. stellen, um zu sehen ob sich der Verstärker dann einschaltet. Ist dies der Fall, liegt ein Problem mit der Steuerleitung vor.

- Eine Steuerleitung (REM) ist am REM Anschluss des Verstärker angeschlossen.

Überprüfen Sie mithilfe des Spannungsmessers, ob zwischen dem REM Anschluss des Verstärkers und Masse eine Spannung anliegt. Dabei muss das Autoradio/Steuergerät angeschaltet sein.

Es liegt keine Spannung an.

- Überprüfen Sie die Steuerleitung vom Verstärker zum Autoradio/Steuergerät auf einen Kurzschluss oder eine Beschädigung. Ersetzen Sie gegebenenfalls die Steuerleitung.

Es liegt Spannung an.

- Der Verstärker hat wahrscheinlich eine Fehlfunktion oder ist defekt. Kontaktieren Sie Ihren Fachhändler.

Wenn Sie den Verstärker mit den Lautsprechersignalen (Hochpegel/High Level) betreiben, muss der AUTO TURN-ON Schalter auf DC umgeschaltet sein.

- Der AUTO TURN-ON Schalter befindet sich in Position DC, dennoch bleibt der Verstärker aus.

Überprüfen Sie die Lautsprecherkabel vom Autoradio/Steuergerät zum Verstärker auf Kurzschlüsse oder Beschädigungen. Ersetzen Sie gegebenenfalls die Lautsprecherkabel oder isolieren Sie die beschädigte Stelle.

## FEHLERBEHEBUNG

<b>DIE POWER LED LEUCHTET, ABER ES KOMMT KEIN TON AUS DEN LAUTSPRECHERN</b>
<b>Überprüfen Sie folgende Schritte:</b>
<p><b>Niederpegelmodus: Sind die RCA/Cinchkabel am Radio/Steuergerät und am Verstärker korrekt angeschlossen?</b></p> <ul style="list-style-type: none"> <li>• <u>Die RCA/Cinchkabel sind korrekt angeschlossen.</u> Es könnte ein RCA/Cinchkabel defekt sein. Überprüfen Sie die Funktion der RCA/Cinchkabel an einem anderen Audiogerät. Ersetzen Sie gegebenenfalls das defekte RCA/Cinchkabel.</li> </ul>
<p><b>Hochpegelmodus: Sind die Lautsprecherkabel am Radio/Steuergerät und den Hochpegel-Eingängen des Verstärker bzw. am Hochpegel-Kabelstecker korrekt angeschlossen?</b></p> <ul style="list-style-type: none"> <li>• <u>Die Lautsprecherkabel sind korrekt angeschlossen.</u> Es könnte ein Lautsprecherkabel defekt sein. Ersetzen Sie gegebenenfalls das Lautsprecherkabel oder isolieren Sie die beschädigte Stelle.</li> </ul>
<p><b>Sind die Lautsprecherkabel zwischen den Lautsprechern oder dem Subwoofer an den Lautsprecherausgängen des Verstärkers korrekt angeschlossen?</b></p> <ul style="list-style-type: none"> <li>• <u>Die Lautsprecherkabel sind korrekt angeschlossen.</u> Es könnte ein Lautsprecherkabel defekt sein. Ersetzen Sie gegebenenfalls das Lautsprecherkabel oder isolieren Sie die beschädigte Stelle.</li> </ul>
<p><b>Ist am Verstärker der Hochpassfilter oder Subsonicfilter höher als der Tiefpassfilter eingestellt?</b></p> <p>Drehen Sie dann den Regler für den Hochpassfilter oder Subsonicfilter langsam zurück, bis der Ton zu hören ist.</p>
<p><b>Ist am Verstärker der Eingangswahlschalter korrekt eingestellt?</b></p> <p>Überprüfen Sie die Einstellung und ändern gegebenenfalls die Schalterstellung.</p>
<p><b>Sind am Verstärker die Frequenzweichenschalter korrekt eingestellt?</b></p> <p>Überprüfen Sie die Einstellungen und ändern gegebenenfalls die jeweilige Schalterstellung.</p>
<p><b>Sind die Lautsprecher oder der Subwoofer funktionsfähig?</b></p> <p>Halten Sie eine handelsübliche 9 Volt Blockbatterie an die Anschlüsse jeden Lautsprechers oder des Subwoofers.</p> <ul style="list-style-type: none"> <li>• <u>Es ist ein leises Knackgeräusch zu hören.</u> Der Lautsprecher oder der Subwoofer ist in Ordnung.</li> <li>• <u>Es ist nichts zu hören.</u> Der Lautsprecher oder Subwoofer könnte defekt sein. Ersetzen Sie gegebenenfalls den defekten Lautsprecher oder Subwoofer.</li> </ul>
<p><b>Sind die Einstellungen am Autoradio/Steuergerät korrekt eingestellt?</b></p> <ul style="list-style-type: none"> <li>• Überprüfen Sie die Fader- und Balance-Einstellungen</li> <li>• Überprüfen Sie, ob eventuell die Stummschaltung aktiviert ist</li> <li>• Überprüfen Sie, ob eventuell ein Hochpass- oder Tiefpassfilter aktiviert ist</li> <li>• Überprüfen Sie, ob eventuell die Wiedergabe pausiert ist</li> <li>• Überprüfen Sie Source-Einstellungen (Signalquelle)</li> <li>• Überprüfen Sie, ob ein eventuell vorhandener Subwooferausgang aktiviert ist</li> </ul>

## FEHLERBEHEBUNG

<b>VERZERRUNGEN ODER ZISCHGERÄUSCHE SIND AUS DEN LAUTSPRECHERN ZU HÖREN</b>
<b>Überprüfen Sie folgende Schritte:</b>
<b>Ist ein Eingangspegelregler am Verstärker zu hoch eingestellt?</b> Drehen Sie den Regler langsam zurück, bis ein sauberes Audiosignal zu hören.
<b>Ist der Bass Boost (Bassanhebung) am Verstärker zu hoch eingestellt?</b> Drehen Sie den Regler langsam zurück, bis ein sauberes Audiosignal zu hören.
<b>Ist die Loudness Funktion am Autoradio/Steuergerät zu hoch eingestellt?</b> Deaktivieren Sie Loudness oder drehen Sie die Loudness Einstellung zurück, bis ein sauberes Audiosignal zu hören ist.
<b>Sind die EQ- und Klangeinstellungen am Autoradio/Steuergerät zu hoch eingestellt?</b> Drehen Sie die Einstellungen für Treble, Mitten und Bass zurück oder deaktivieren Sie den Equalizer, bis ein sauberes Audiosignal zu hören ist.

<b>DREHZAHLABHÄNGIGE STÖRGERÄUSCHE SIND AUS DEN LAUTSPRECHERN ZU HÖREN</b>
<b>Überprüfen Sie folgende Schritte:</b>
<b>Sind die RCA/Cinchkabel getrennt vom Stromkabel im Fahrzeug verlegt worden?</b> Verlegen Sie gegebenenfalls die Kabel erneut und achten Sie darauf, dass die RCA/Cinchkabel getrennt vom Stromkabel jeweils links und rechts im Fahrzeug verlegt werden.
<b>Ist der Masseanschluss des Verstärkers korrekt angeschlossen?</b> Achten Sie darauf, dass der Masseanschluss des Verstärkers nicht direkt am Minuspol der Fahrzeugbatterie angeschlossen ist. Wählen Sie einen geeigneten Massepunkt an der Fahrzeugkarosserie zum Anschließen aus. Verwenden Sie gegebenenfalls Kontaktspray um die Leitfähigkeit der Anschlüsse zu verbessern.
<b>Ist die Leitfähigkeit des Massekabels der Fahrzeugbatterie zur Karosserie in Ordnung?</b> Achten Sie darauf, dass der Masseanschluss der Fahrzeugbatterie eine stabile und leitfähige Verbindung zur Karosserie hat. Verwenden Sie gegebenenfalls Kontaktspray um die Leitfähigkeit der Anschlüsse zu verbessern.

<b>EIN AKTIV BETRIEBENER HOCHTÖNER VERZERRT ODER KNACKT</b>
<b>VORSICHT: Hochtöner werden durch zu tiefe Frequenzen beschädigt. Beachten Sie dazu die Angaben des Herstellers, welche Frequenzeinstellung empfohlen wird. Pausieren Sie sicherheitshalber die Wiedergabe des Autoradios/Steuergeräts zunächst. Überprüfen Sie dazu folgende Schritte:</b>
<b>Ist der Frequenzweichenschalter des betreffenden Kanalpaars am Verstärker korrekt eingestellt?</b> Stellen Sie den Schalter auf Position Hochpass (HP oder HPF).
<b>Ist der Hochpassfilter des betreffenden Kanalpaars am Verstärker zu niedrig eingestellt?</b> Drehen Sie den Hochpassregler zuerst im Uhrzeigersinn ganz hoch. Starten Sie nun die Wiedergabe am Steuergerät/Autoradio. Drehen Sie dann den Hochpassregler langsam gegen den Uhrzeigersinn, bis aus den Hochtönern ein sauberer Klang zu hören ist und dieser zusammen mit den Tief-/Mitteltönern ein ausgewogenes Klangbild ergibt. Achten Sie dabei auch darauf, dass die Tief-/Mitteltönern entsprechend mit dem jeweiligen Hoch- und Tiefpassregler richtig eingestellt sind.

## FEHLERBEHEBUNG

VERSTÄRKER AKTIVIERT DIE SCHUTZSCHALTUNG / DIE PROTECT LED LEUCHTET
<p><b>Überprüfen Sie folgende Schritte:</b></p>
<p><b>Kurzschluss an den Lautsprecherkabeln</b></p> <ul style="list-style-type: none"> <li>• Klemmen Sie zunächst alle Lautsprecherkabel am Verstärker ab. Überprüfen Sie mit einem Multimeter die ohmsche Impedanz jedes Lautsprechers, indem sie zwischen dessen Plus- und Minusleitung messen. Bei handelsüblichen Lautsprechern schwankt der Wert zwischen 3 und 5 Ohm. Die Werte bei niederohmigen Subwoofern können geringer sein. <ul style="list-style-type: none"> <li>• <u>Die Messung zeigt einen Widerstandswert von weniger als 0,5 Ohm an</u> Es liegt ein Kurzschluss vor. Entfernen Sie die Verkabelung des betroffenen Lautsprechers an dessen Anschlüssen. Überprüfen Sie jetzt mit dem Multimeter die ohmsche Impedanz direkt an den Lautsprecheranschlüssen, indem sie zwischen Plus- und Minusanschluss messen. <ul style="list-style-type: none"> <li>• <u>Die Messung zeigt einen Widerstandswert von mehr als 0,5 Ohm an</u> <ul style="list-style-type: none"> <li>• Der Lautsprecher ist in Ordnung, deshalb scheint das Lautsprecherkabel defekt zu sein, welches einen Kurzschluss verursacht. Ersetzen Sie das defekte Lautsprecherkabel.</li> </ul> </li> <li>• <u>Die Messung zeigt einen Widerstandswert von weniger als 0,5 Ohm an</u> <ul style="list-style-type: none"> <li>• Der Lautsprecher scheint defekt zu sein, welcher einen Kurzschluss zu verursacht. Ersetzen Sie den defekten Lautsprecher.</li> </ul> </li> </ul> </li> </ul> </li></ul>
<p><b>Die Lastimpedanz der Lautsprecher oder des Subwoofers ist zu niedrig</b></p> <ul style="list-style-type: none"> <li>• Vergleichen Sie die ohmsche Impedanz des angeschlossenen Lautsprechers oder Subwoofers mit den technischen Angaben des Verstärkers. Ist der Verstärker beispielsweise nur für den 2- oder 4-Ohm Betrieb ausgelegt, darf kein Lautsprecher mit weniger als 2 Ohm angeschlossen werden.</li> </ul>
<p><b>Der Kabelquerschnitt der Stromkabel ist zu gering</b></p> <ul style="list-style-type: none"> <li>• Ein zu geringer Kabelquerschnitt sorgt für einen erhöhten ohmschen Widerstand und somit für einen Spannungsabfall (Spannungsverlust). Dies hat zur Folge, dass der Verstärker mehr Strom benötigt. Durch die erhöhte Stromaufnahme kommt es zu einer deutlich höheren Hitzeentwicklung und der Verstärker schaltet in den thermalen Schutzmodus. Beachten Sie deshalb die empfohlenen Kabelquerschnitte in dieser Anleitung und verlegen gegebenenfalls Stromkabel mit einem größeren Kabelquerschnitt.</li> </ul>
<p><b>Der Verstärker ist überhitzt</b></p> <ul style="list-style-type: none"> <li>• Der Kühlkörper jedes Verstärkers benötigt ausreichend Luftzirkulation, um die während des Betriebs entstandene Wärme auch abführen zu können. Ändern Sie gegebenenfalls die Einbauposition zugunsten einer besseren Kühlung des Verstärkers oder sorgen Sie für eine bessere Luftzirkulation am Einbaort.</li> <li>• Schalten Sie das Soundsystem aus und warten sie etwa eine halbe Stunde, bis sich der Verstärker wieder abgekühlt hat. Bei sehr heißen Außentemperaturen und starker Sonneneinstrahlung entwickelt sich eine enorme Hitze im Fahrzeug. Der Verstärker aktiviert dann seine thermale Schutzschaltung, um Beschädigungen vorzubeugen. Nachdem Abkühlen funktioniert der Verstärker wieder einwandfrei.</li> </ul>

**ACHTUNG:** Sämtliche Hinweise dieser Fehlerbehebung beziehen sich auf das gesamte Soundsystem und deren Einzelkomponenten. Unter Umständen entspricht die Ausstattung Ihres Geräts nicht den in den Hinweisen beschriebenen Funktionen. Überspringen Sie dann diesen Punkt und machen mit dem nächsten weiter.

A series of 22 horizontal lines for writing, evenly spaced across the page.



# MUSWAY

MUSIC IS THE WAY



MUSWAY is a brand of Audio Design GmbH

Am Breilingsweg 3 · D-76709 Kronau

Tel. +49 7253 - 9465-0 · Fax +49 7253 - 946510

© Audio Design GmbH, All Rights Reserved

[www.musway.de](http://www.musway.de)

**TECHNIK FÜR KLANGBEGEISTERTE**